

INKO21

+34 972 66 48 36

info@inko21.com

inko21.com

507

Lifting Wheels

Set for containers with ISO corners up to 17 t total weight



Lifting wheels series 507 up to 500mm stroke are suitable to move containers or modules up to 17t on little paved and lesser levelled ground. The assembling is to the frontside into the ISO corners, when the container is on standing the ground. To traverse the container has to be lifted up hydraulically by means of lifting wheels and can be moved from different vehicles. Using lifting wheels also small containers and structures can be loaded into cargo planes.

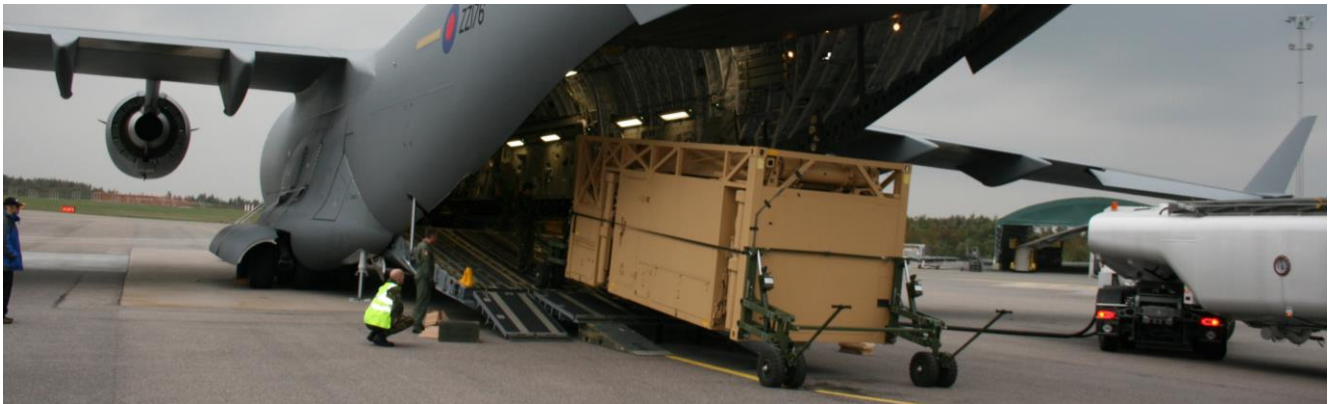
- Installation on the front and rear of the container by using the ISO corner.
- The container doesn't need to be lifted for the installation of the wheel units.
- Each unit with hydraulic pump handle for lifting the container.
- Easy movement in places with restricted height or narrow passages.
- 4 double wheel units - can be adjusted either as a steering wheel or a fixed wheel
- 1 drawbar
- 4 steering rods for improved turning ability
- 1 Compact transport rack with all necessary items to operate the system.

507

Lifting Wheels

Set for containers with ISO corners up to 17 t total weight

Model	507-W40-12S	507-W40-17S
Maximum load capacity in the system	12.000 kg	17.000 kg
Maximum load capacity per roller unit	6.000 kg	6.000 kg
Roller units	4 double wheels	4 double wheels
Wheel diameter	350 mm	350 mm
Max. towing speed – with solid rubber wheels	6 km/h	6 km/h
Max. towing speed - with pneumatic tyres	12 km/h	6 km/h
Weight per roller unit	ca. 170 kg	ca. 190 kg
Operating temperature range	-20°C - +49°C	-20°C - +49°C



267

Heavy duty rollers

Set for containers with ISO corners up to 6 t total weight



Roller sets series 267 up to 6 t load.

With tow bar and multi-functional part.

Each roller unit can be universally set and operated as steerable or fixed roller. The multi-function part is used for storing the tools as well as a for easy installing and supporting the steering. The roller installation into the ISO-corners from underneath ensures high reliability.

The side openings of the ISO corner remain free for other use.

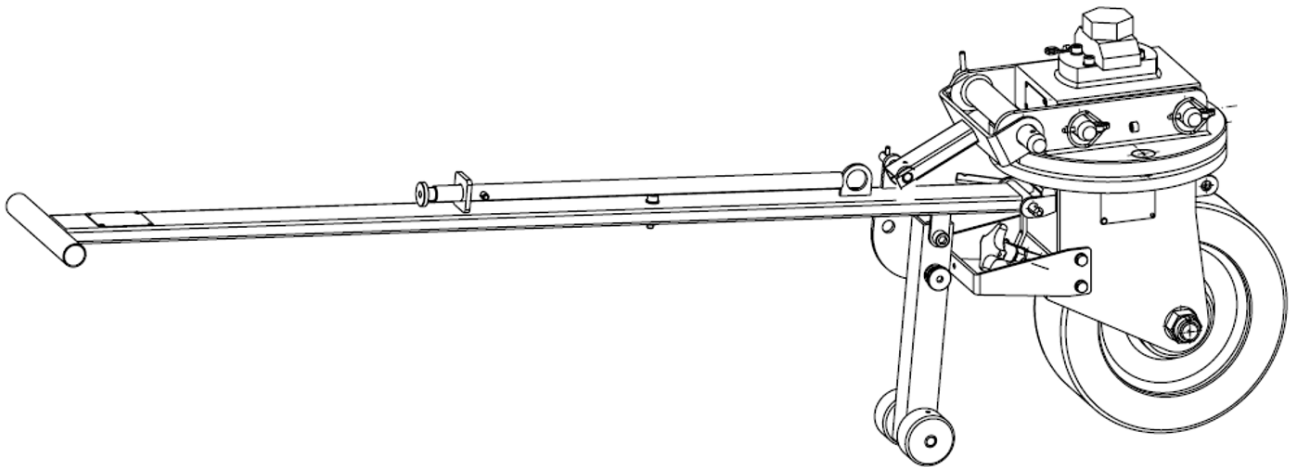
- Installation on the underside of the container via the ISO corner
- No own drive, travel only with a towing vehicle
- Installation on the container with the aid of the multi-functional bar.
- 4 roller units
- 1 drawbar
- 1 or 2 multifunctional bars

267

Heavy duty rollers

Set for containers with ISO corners up to 6 t total weight

Model	267 000 1
Maximum load capacity in the system	up to 6.000 kg
Maximum load capacity per roller unit	up to 3.000 kg
Roller units	4 single roller
Wheel diameter	300 mm
Overall height	462 mm
Weight per roller unit	ca. 40 kg
Allowed ground inclination	10,0° - standard
Operating temperature range	-10°C - +49°C - standard



267

Heavy duty rollers

Set for containers with ISO corners up to 10 t total weight



Roller sets series 267 up to 10 t load.

With tow bar and multi-functional part.

Each roller unit can be universally set and operated as steerable or fixed roller. The multi-function part is used for storing the tools as well as a for easy installing and supporting the steering. The roller installation into the ISO-corners from underneath ensures high reliability.

The side openings of the ISO corner remain free for other use.

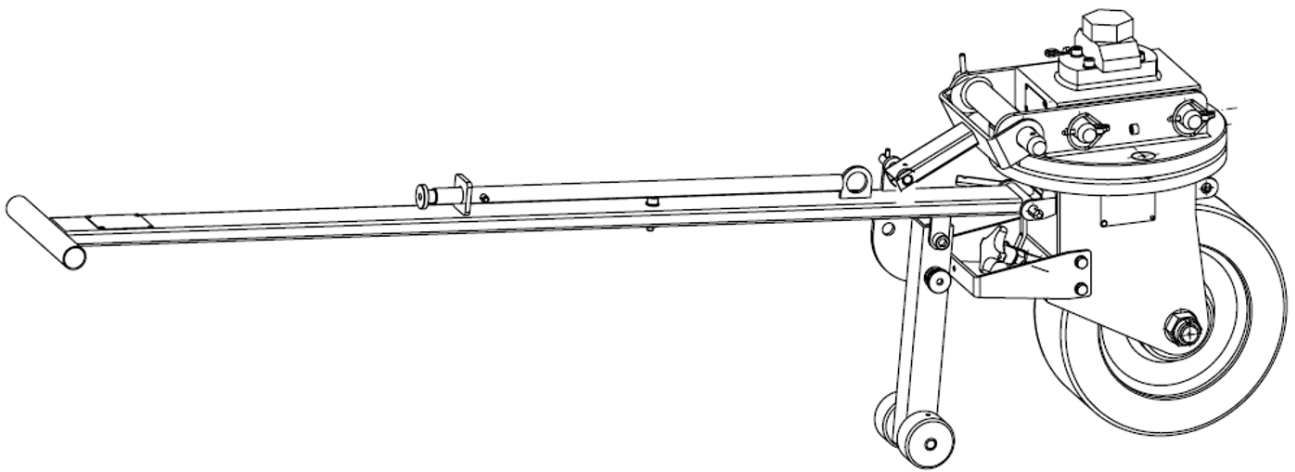
- Installation on the underside of the container via the ISO corner
- No own drive, travel only with a towing vehicle
- Installation on the container with the aid of the multi-functional bar.
- 4 roller units
- 1 drawbar
- 1 or 2 multifunctional bars

267

Heavy duty rollers

Set for containers with ISO corners up to 10 t total weight

Model	267/A 000 11
Maximum load capacity in the system	up to 10.000 kg
Maximum load capacity per roller unit	up to 5.000 kg
Roller units	4 single roller
Wheel diameter	300 mm
Overall height	458 mm
Weight per roller unit	ca. 40 kg
Allowed ground inclination	10,0° - standard
Operating temperature range	-10°C - +49°C - standard



267

Heavy duty rollers

Set for containers with ISO corners up to 16 t total weight



Roller sets series 267 up to 16 t load.

With tow bar and multi-functional part.

Each roller unit can be universally set and operated as steerable or fixed roller. The multi-function part is used for storing the tools as well as a for easy installing and supporting the steering.

The roller installation into the ISO-corners from underneath ensures high reliability.

The side openings of the ISO corner remain free for other use.

- Installation on the underside of the container via the ISO corner
- No own drive, travel only with a towing vehicle
- Installation on the container with the aid of the multi-function bar.
- 4 double roller units
- 1 drawbar
- 1 or 2 multifunctional bars

267

Heavy duty rollers

Set for containers with ISO corners up to 16 t total weight

Model	267/C 000 0
Maximum load capacity in the system	up to 16.000 kg
Maximum load capacity per roller unit	up to 8.000 kg
Roller units	4 double roller
Wheel diameter	300 mm
Overall height	462 mm
Weight per roller unit	ca. 80 kg
Allowed ground inclination	10,0° - standard
Operating temperature range	-10°C - +49°C - standard

