

INKO21

+34 972 66 48 36

info@inko21.com

**inko21.com**

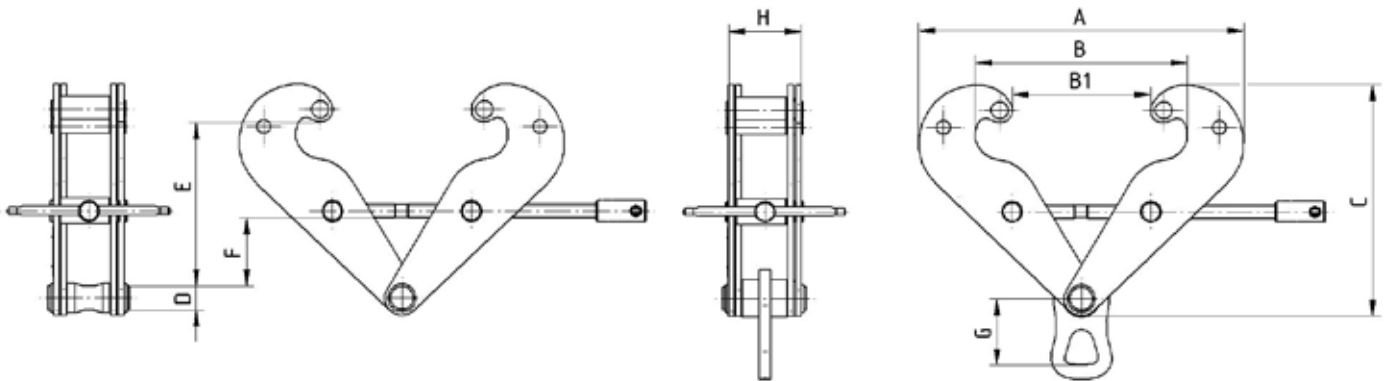
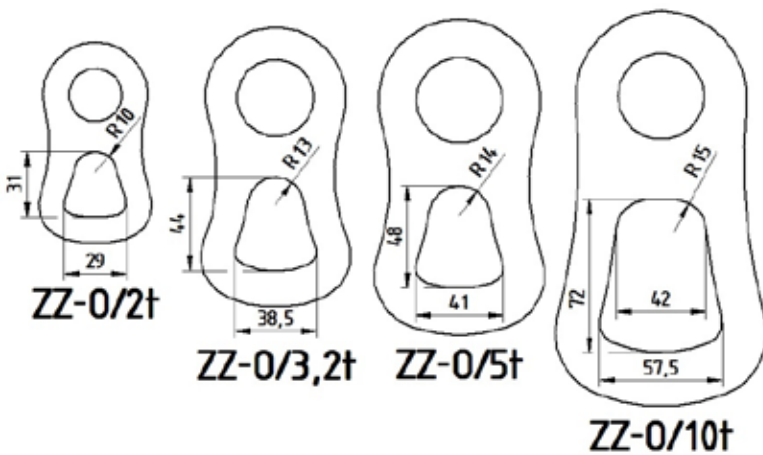
# GIRDER CLAMPS

## Use:

- as an accessory tool for manual hoists made by the BRANO company, possibly also for hoists of other brands
- serving as simple and rapid suspension of manual hoists on beams or posts of the "I" profile
- suitable as portable tool during installation, repair or other types of work

## Characteristics:

- simple and rapid installation to a structure
- low maintenance requirements



Type	Lifting capacity (t)	Main dimensions (mm)									Weight (kg)	
		A max.	B max.	B1 max.	C max.	D	E min. max.	F min.	G	H max.	with cross beam (ZZ)	with eye (ZZ-o)
ZZ	2	360	270	220	220	20	108155	35	57,5	61	2,9	3,1
	3,2	415	300	235	285	34	145190	55	81	85	6,5	7
	5	415	300	235	285	38	142187	52	88	93	8,4	9
	10	415	300	235	285	-	-	-	120	109	-	15,5

B – width of I girder flange