

INKO21

+34 972 66 48 36

info@inko21.com

**inko21.com**

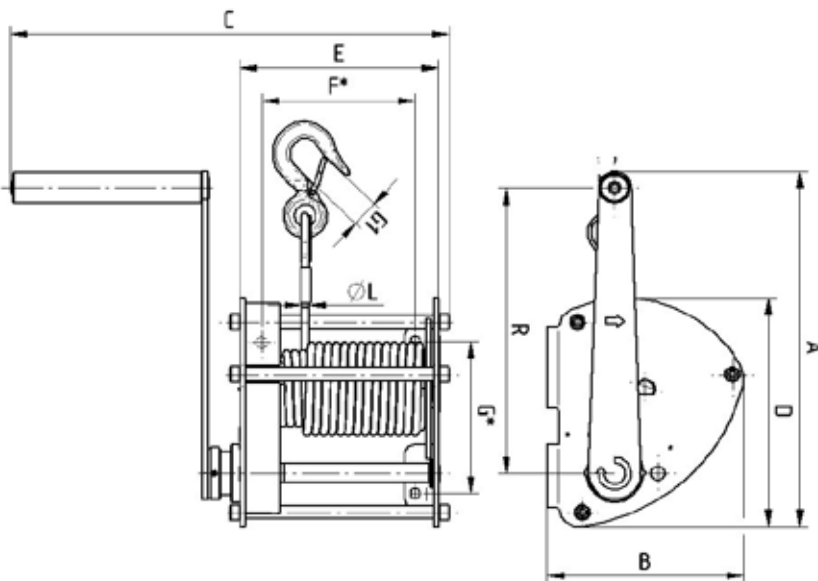
# WIRE ROPE WINCH

## Use:

- for manual lifting and towing of loads
- as a service hoist for installation and maintenance work in technological facilities of all types
- for loading passenger vehicles or boats onto trailers
- for manipulation activities on small boats (hoisting the sails, etc.)
- can also be used in environments with a risk of explosion ("NEXP")

## Characteristics:

- simple and light construction
- simple operation
- anti-corrosion surface treatment by galvanization
- ready for installation to a structure
- low maintenance requirements



Type	Lifting capacity (t)	Main dimensions (mm)										Technical parameters				
		A	B	C	D	E	F*	G*	G1	L	R	Rope (mm)	Lift (m)	Gear ratio	Operating force on crank max. (N)	Weight of winch with the rope (kg)
LN	0,5t	264	167	344	193	186	144	115	19	5	200	Ø5	10	1:08	250	9,5
	1t	373	207	460	240	209	160	160	19	8	300	Ø8	10	1:06	320	15,2

\* hole distances for anchoring of the rope winch  
 Ø of anchorage holes – LN/0,5t – 9mm, LN/1t – 11mm