

INKO21

+34 972 66 48 36

info@inko21.com

inko21.com

Hand winches

There are generally three reasons for using hand winches. They are used as back-up systems or when the frequency of use is low. Finally, a load can be moved in a remote location where there is no electricity.

Our hand winches can be divided into two types of transmission, namely; a worm gear and a spur gear. Within the worm gear hand winches, we also have two industry specific winches, the stainless steel winches and the theatre winch.



Index

- | | | | |
|---|-------|------------------------------------|-------|
| • Worm gear hand winches 250 - 1500 kg | p. 11 | • Spur gear winch 150 kg | p. 21 |
| • Worm gear hand winches 2000 - 7500 kg | p. 13 | • Spur gear winches 300 - 750 kg | p. 23 |
| • Worm gear marine winches 3000 - 5000 kg | p. 15 | • Spur gear winches 1000 - 1500 kg | p. 25 |
| • Worm gear SST316 winches 500 - 5000 kg | p. 17 | • Spur gear console winch 600 kg | p. 27 |
| • Theatre winch 300 kg | p. 19 | | |

Worm gear hand winches

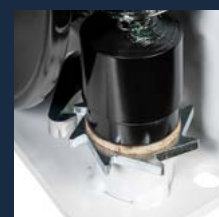
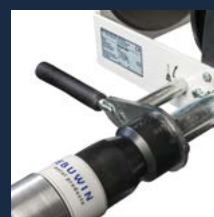
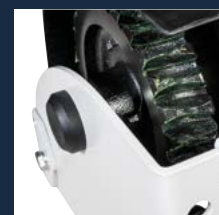
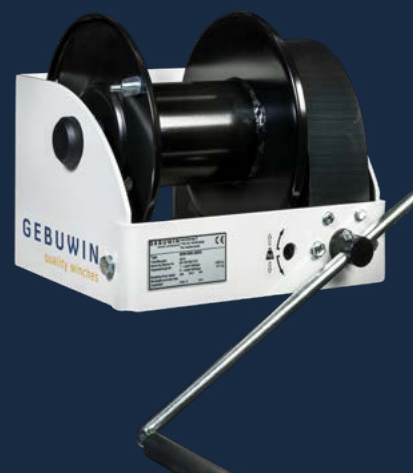
250 – 1500 kg

Description of the winch

This hand winch is very safe due to the natural braking effect of the worm gear transmission in combination with the load pressure brake. In addition, the winch is easy to use, can be mounted in various ways and has a cable storage up to 120 meters.

Product specificaties

- winch suitable for lifting and pulling in compliance with EN13157
- static safety factor 4
- load pressure brake with double ratchet system for safe stable hold of the load in any position
- cable outlet upwards, downwards or at rear
- adjustable crank
- suitable for wall and (optional) floor mounting
- 1 layer of paint



Options (code)

- zinc-plated finish 6 - 8 micron (EV)
- 2 layers of paint (2L)
- grooved drum (GD)
- 2 drum compartment (2D) or multiple up to 8 (XD)
- suitable for Dyneema rope (DY)
- pressure roller (PR)
- suitable to use with webbing belt W:50 mm D:2 mm (WB)
 - belt storage WW250: 10 m
 - belt storage WW500 - WW1000: 14 m
- suitable for floor mounting (FM)
- ATEX certified zone 2 and 22 (EX)
 - CE II 3G Ex IIC T4 Gc, -20°C<T amb <+70°C
 - CE II 3D Ex IIIC T135°C Dc, -20°C<T amb <+70°C
- custom options possible - [on request](#)

Accessories

- steel, stainless steel or fiber rope ([p. 57](#))
- pulley block ([p. 59](#))
- electric or airmotor as from WW1000 ([p. 63](#))



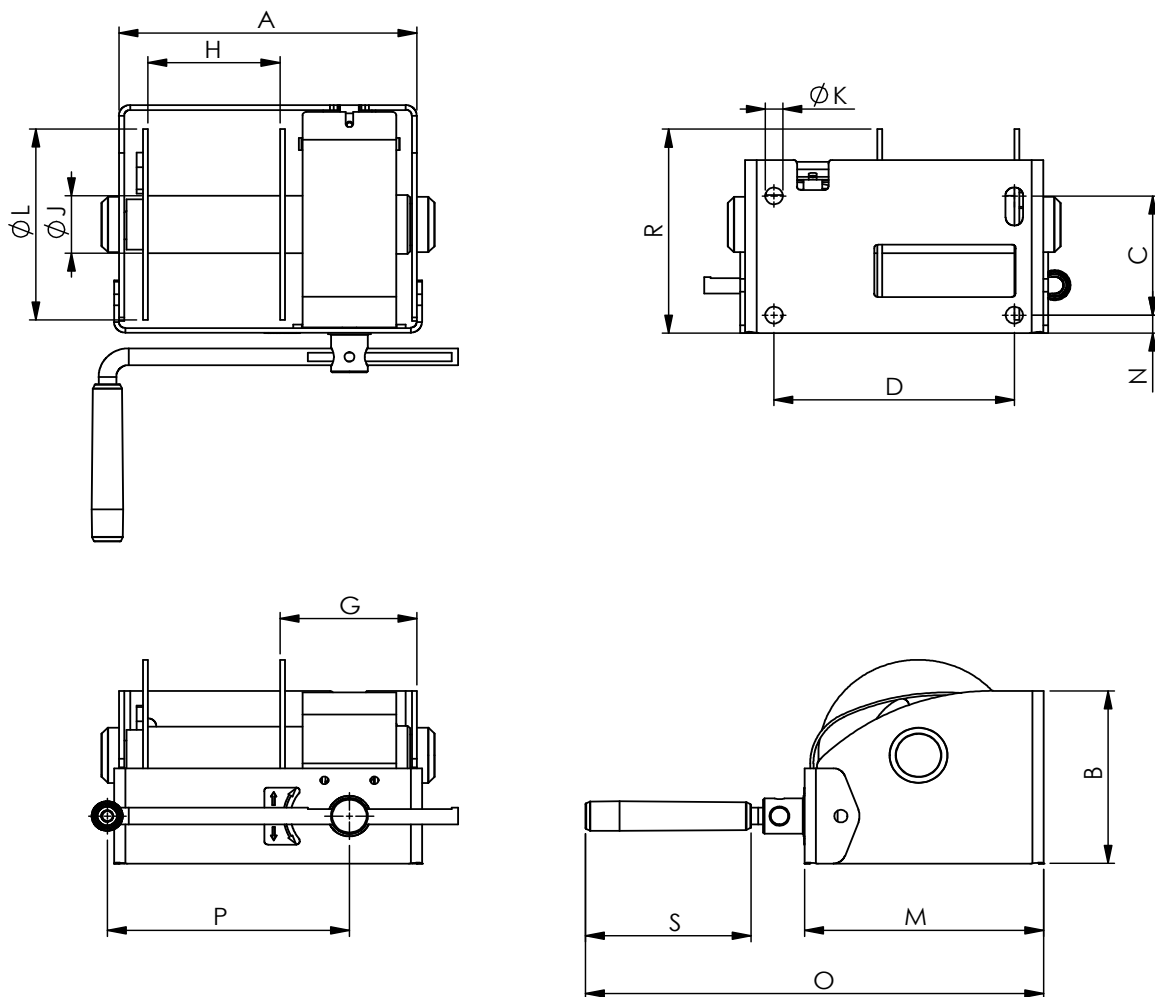
[Product & instruction video on YouTube](#)

GEBUWIN
quality winches

Industrieweg 6, 7102 DZ Winterswijk, The Netherlands
Telephone: +31(0)543 532600 Email: info@gebuwin.com

For more information, visit: www.gebuwin.com

Technical specifications WW250-1500

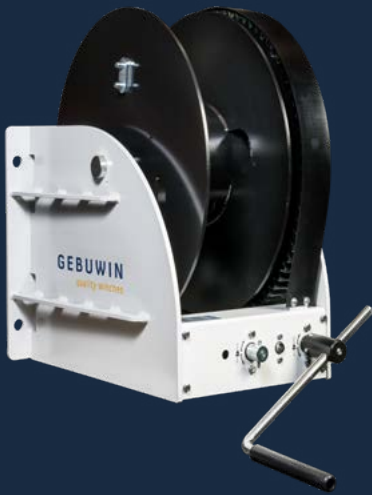


Dimensions (mm)	A	B	C	D	G	H	J	K	L	M	N	O	P	R	S
<u>WW250</u>	238	145	100	192	107	105	48	14	160	191	15	365	325	171	132
<u>WW500</u>	269	160	115	223	108	135	70	14	190	221	15	393	325	193	132
<u>WW1000</u>	302	195	141	254	109	162	102	17	240	266	15	440	350	263	132
<u>WW1500</u>	302	250	178	254	109	162	102	17	240	278	15	451	350	306	132

Technical specifications	Unit	<u>WW250</u>	<u>WW500</u>	<u>WW1000</u>	<u>WW1500</u>
Capacity 1st layer	kg	250	500	1000	1500
Capacity 4th layer	kg	179	355	722	1025
Capacity top layer	kg	92	224	527	846
Rope diameter-Ø	mm	4	6	8	10
MBL of cable	kN	9	17	34	51
Rope storage 1st layer	m	3,6	4,3	5,5	4,2
Rope storage 4th layer	m	18,7	22,8	29,3	24
Rope storage top layer	m	104	78,2	72,5	41
Lifting speed	m/min	1	1,2	0,8	0,5
Crank effort at full load	kg	5	10	13	14
Weight (without rope)	kg	10	13	22	24
Article number	no.	77281100	77281350	77281600	77281850

Worm gear hand winch

2000 – 7500 kg

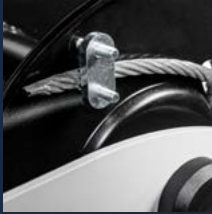


Description of the winch

This hand winch is very safe due to the natural braking effect of the worm gear transmission in combination with the load pressure brake. In addition, the winch is easy to use, can be mounted in various ways and has a cable storage up to 120 meters.

Product specifications

- winch suitable for lifting and pulling in compliance with EN13157
- static safety factor 4
- load pressure brake with double ratchet system for safe stable hold of the load in any position
- cable outlet upwards or at rear
- adjustable crank
- suitable for wall and (optional) floor mounting
- 1 layer of paint



Options (code)

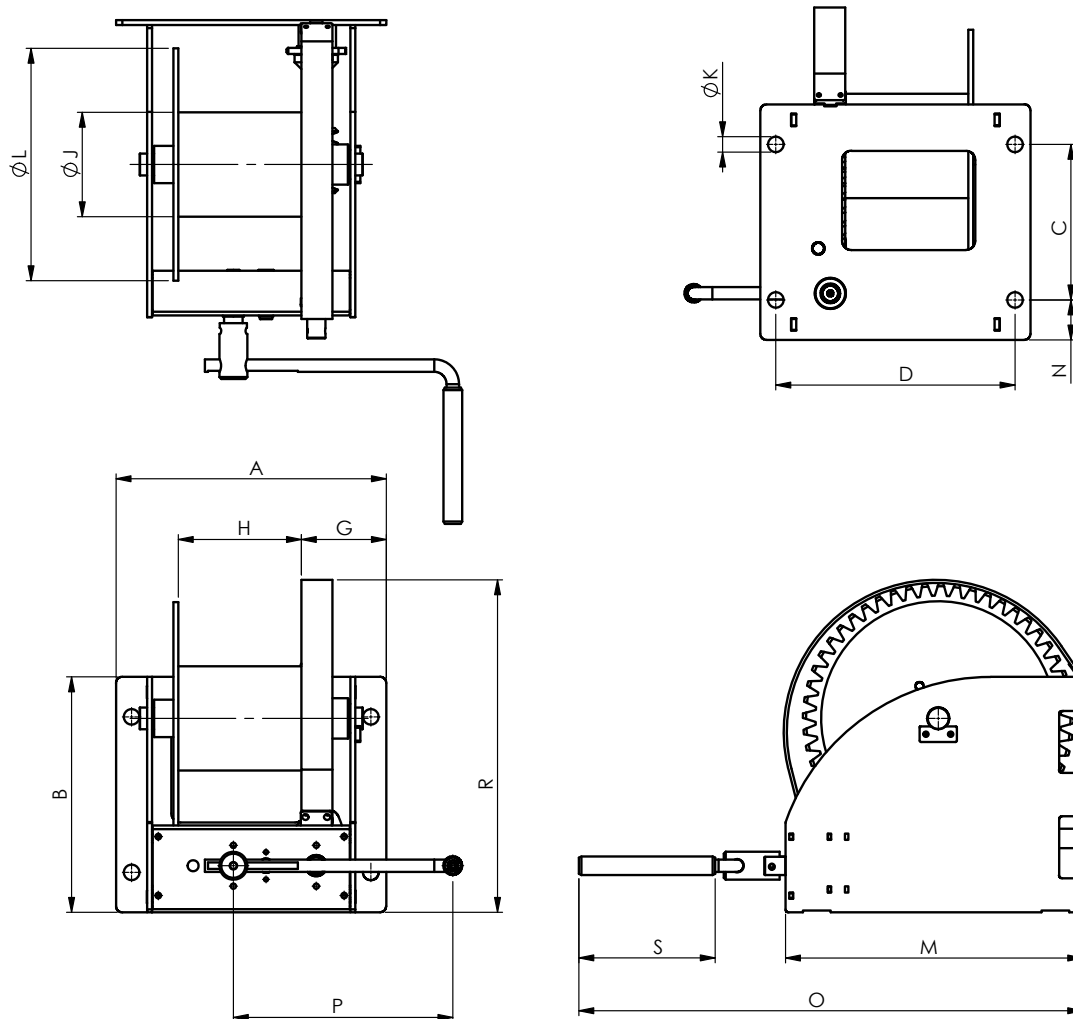
- zinc-plated finish 6 - 8 micron (EV)
- 2 layers of paint (2L)
- grooved drum (GD)
- 2 drum compartment (2D) or multiple up to 8 (XD)
- suitable for floor mounting (FM)
- suitable for Dyneema rope (DY)
- pressure roller (PR)
- free-spooling device for pulling applications. To disengage the drum (FS)
- free-spooling device with additional friction brake for controlled cable unwinding (FSB)
- ATEX certified zone 2 and 22 (EX)
 - CE II 3G Ex IIC T4 Gc, -20°C<T amb <+70°C
 - CE II 3D Ex IIIC T135°C Dc, -20°C<T amb <+70°C
- custom options possible - [on request](#)

Accessories

- steel, stainless steel or fiber rope ([p. 57](#))
- pulley block ([p. 59](#))
- electric or airmotor as from WW1000 ([p. 63](#))

CE   [Product & instruction video on YouTube](#)

Technical specifications WW2000-7500



Dimensions (mm)	A	B	C	D	G	H	J	K	L	M	N	O	P	R	S
<u>WW2000</u>	410	310	196	360	137	177	133	25	312	372	57	705	380	434	220
<u>WW2500</u>	410	310	196	360	137	177	133	25	312	372	57	705	380	434	220
<u>WW3000</u>	436	380	251	386	137	203	168	25	375	480	65	813	380	536	220
<u>WW4000</u>	436	380	251	386	137	203	168	25	375	480	65	813	380	536	220
<u>WW5000</u>	436	467	316	386	137	200	219	25	437	515	75	847	380	618	220
<u>WW7500</u>	510	500	350	455	189	202	245	25	630	635	75	968	380	748	220

Technical specifications	Unit	<u>WW2000</u>	<u>WW2500</u>	<u>WW3000</u>	<u>WW4000</u>	<u>WW5000</u>	<u>WW7500</u>
Capacity 1st layer	kg	2000	2500	3000	4000	5000	7500
Capacity 4th layer	kg	1399	1748	2143	2858	3585	5252
Capacity top layer	kg	1075	1344	1667	2223	3276	3752
Rope diameter-Ø	mm	12	12	14	14	16	22
MBL of cable	kN	60	75	102	133	168	251
Rope storage 1st layer	m	5	5,4	5,7	5,2	5,9	4,2
Rope storage 4th layer	m	28,4	30	32,5	30,8	34,2	27,9
Rope storage top layer	m	60,5	63,1	68,7	53	57,8	72,7
Lifting speed (2nd shaft)	m/min	0,7 (0,3)	0,7 (0,3)	0,7 (0,3)	0,7 (0,1)	0,8 (0,2)	0,7 (0,1)
Crank effort at full load	kg	27 (15)	28 (15)	31 (14)	30 (13)	73 (15)	78 (15)
Weight (without rope)	kg	60	60	78	80	117	190
Article number	no.	77276000	77276200	77277000	77278000	77279000	77279500

Marine worm gear hand winch

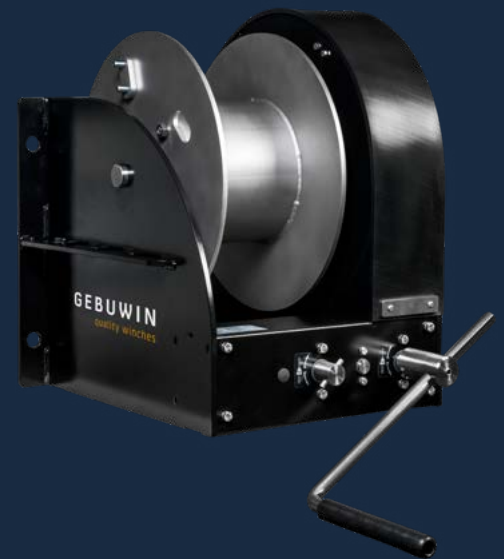
3000 – 5000 kg

Description of the winch

This marine winch has a high corrosion resistance due to its many 316 stainless steel parts and 3 layers of C5M offshore coating. The hand winch is IP54 standardised which means that it is resistant to splash water and dust on the inside. In short: Robust!

Product specifications

- winch suitable for lifting and pulling in compliance with EN13157
- static safety factor 4
- load pressure brake with double ratchet system for safe stable hold of the load in any position
- closed gearbox to protect against environmental influence - protection classification IP54
- cable outlet upwards, downwards or at rear
- adjustable crank
- suitable for wall and (optional) floor mounting
- brushed steel frame with marine coating DIN/ISO 12944 C5M - RAL9005 (black)
- paint thickness is 240 micron in 3 layers
- stainless steel 316 parts: drum, crank and all outgoing shafts, bolts and nuts
- corrosion resistant



Options (code)

- complete stainless steel 316 frame ([p. 17](#))
- grooved drum (GD)
- 2 drum compartment (2D) or multiple up to 8 (XD)
- suitable for floor mounting (FM)
- suitable for Dyneema rope (DY)
- pressure roller (PR)
- ATEX certified zone 2 and 22 (EX)
 - CE II 3G Ex IIC T4 Gc, -20°C<T amb <+70°C

Accessories

- steel, stainless steel or fiber rope ([p. 57](#))
- pulley block ([p. 59](#))
- electric or airmotor as from WW1000 ([p. 63](#))



[Product & instruction video on YouTube](#)

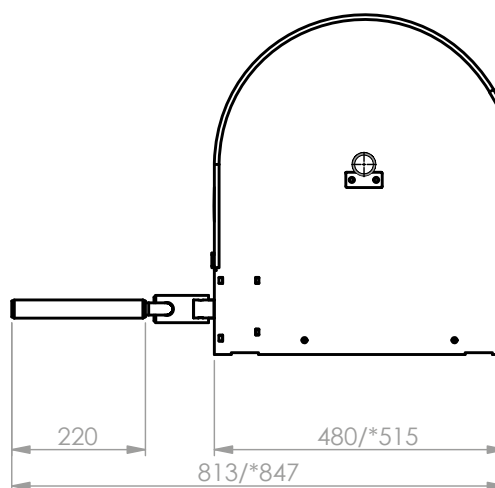
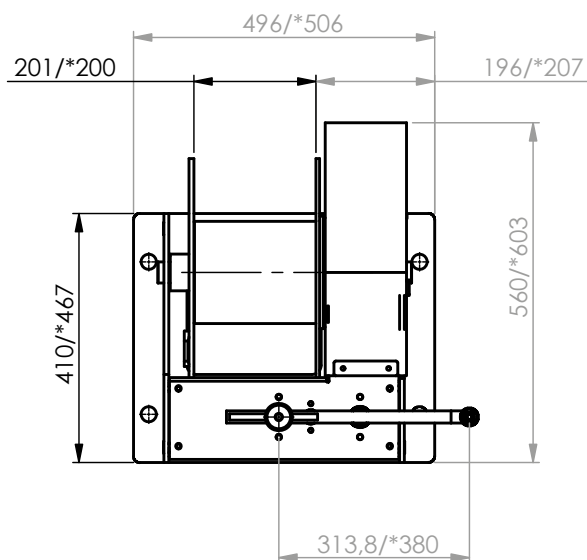
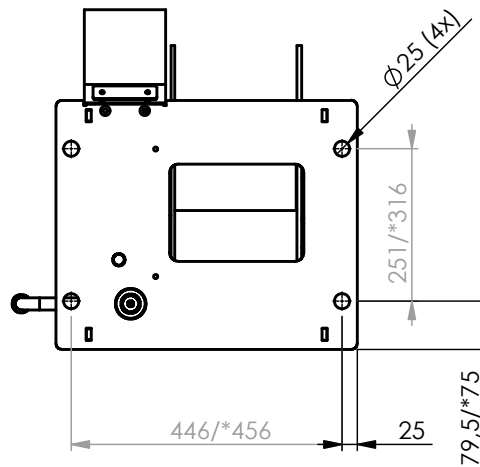
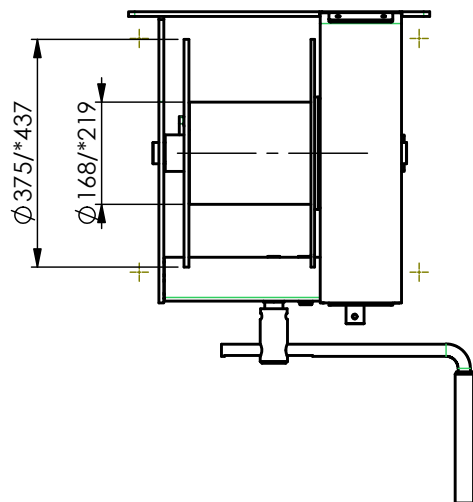
GEBUWIN
quality winches

Industrieweg 6, 7102 DZ Winterswijk, The Netherlands
Telephone: +31(0)543 532600 Email: info@gebuwin.com

For more information, visit: www.gebuwin.com

Technical specifications MR3000-5000 C5M

*MR5000



Technical specifications	Unit	MR3000 C5M	MR5000 C5M
Capacity 1st layer	kg	3000	5000
Capacity 4th layer	kg	2143	3585
Capacity top layer	kg	1667	3276
Rope diameter-Ø	mm	14	18
MBL of cable	kN	90	160
Rope storage 1st layer	m	5,7	5,2
Rope storage 4th layer	m	32,5	31,5
Rope storage top layer	m	68,7	42,9
Lifting speed (2nd shaft)	m/min	0,7 (0,3)	0,8 (0,2)
Crank effort at full load (2nd shaft)	kg	31 (14)	73 (15)
Weight (without rope)	kg	104	135
Article number	no.	77277080	77279080

SST316 worm gear hand winch

500 – 5000 kg



Description of the hand winch

This stainless steel winch is corrosion resistant and is made of stainless steel 316. The hand winch is IP54 classified which means that it is resistant to splashing water and dust on the inside. In short: a winch for the toughest conditions.

Product specifications

- winch suitable for lifting and pulling in compliance with EN13157
- static safety factor 4
- load pressure brake with double ratchet system for safe stable hold of the load in any position
- closed gearbox to protect against environmental influence - protection classification IP54
- cable outlet upwards, downwards or at rear
- adjustable crank
- suitable for wall and (optional) floor mounting
- full stainless steel 316 body, drum, crank and all outgoing parts
- corrosion resistant



Options (code)

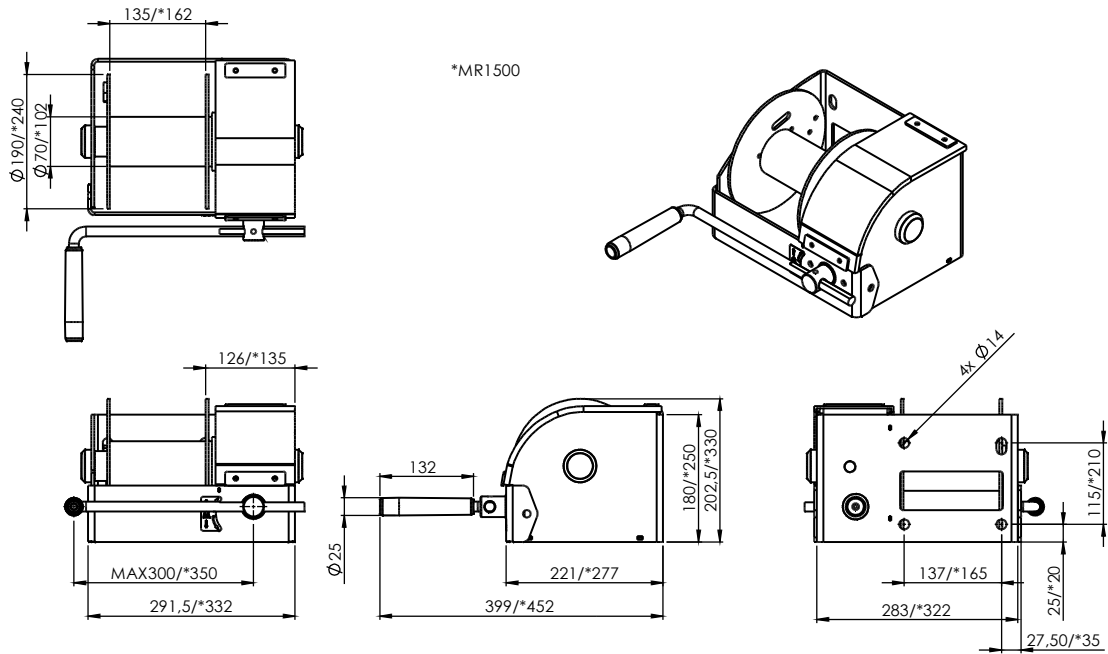
- grooved drum (GD)
- 2 drum compartment (2D) or multiple up to 8 (XD)
- suitable for floor mounting (FM)
- suitable for Dyneema rope (DY)
- pressure roller (PR)
- ATEX certified zone 2 and 22 (EX)
 - CE II 3G Ex IIC T4 Gc, -20°C<T amb <+70°C
 - CE II 3D Ex IIIC T135°C Dc, -20°C<T amb <+70°C
- custom options possible - [on request](#)

Accessories

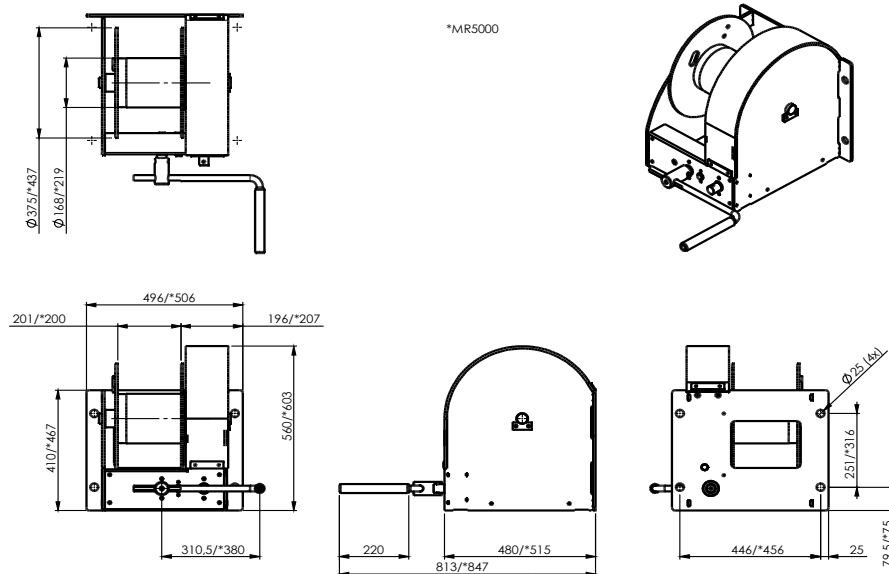
- steel, stainless steel or fiber rope ([p. 57](#))
- pulley block ([p. 59](#))
- electric or airmotor as from WW1000 ([p. 63](#))

CE   [Product & instruction video on YouTube](#)

Technical specifications MR500-1500 SST



Technical specifications MR3000-5000 SST



Technical specifications	Unit	MR500 SST	MR1500 SST	MR3000 SST	MR5000 SST
Capacity 1st layer	kg	500	1500	3000	5000
Capacity 4th layer	kg	355	1025	2143	3585
Capacity top layer	kg	224	846	1667	3276
Rope diameter-Ø	mm	6	10	14	18
MBL of cable	kN	15	45	90	160
Rope storage 1st layer	m	4,3	4,2	5,7	5,2
Rope storage 4th layer	m	22,8	24	32,5	31,5
Rope storage top layer	m	78,2	41,3	68,7	42,9
Lifting speed (2nd shaft)	m/min	1,2	0,5	0,7 (0,3)	0,8 (0,2)
Crank effort at full load	kg	10	14	31 (14)	73 (15)
Weight (without rope)	kg	16	30	104	135
Article number	no.	77281367	77281882	77277090	77279090

Theatre winch

300 kg

Description of the winch

The theatre winch is a high-quality and also safe winch that has been specially developed for the theatre and entertainment industry. This winch complies with the new standards for this sector, namely EN17206, and is therefore new in our range. In short, it's a great addition for Gebuwin, which literally and figuratively has the right to be "In The Picture".

Product specifications

- compliant to the EN17206 norm for stage and entertainment industry
- static safety factor 8
- The worm gear transmission has a natural braking effect
- Closed gearbox to prevent accidents
- grooved drum for single-layer storage of wire rope
- two load pressure brakes with double ratchet system for safe stable hold of the load in any position
- equipped with a spring loaded pressure roller for smooth winding on the drum
- cable outlet upwards and downwards
- double wire rope fastening for extra safety
- adjustable and secured crank
- suitable for wall mounting
- 1 layer of paint



Options (code)

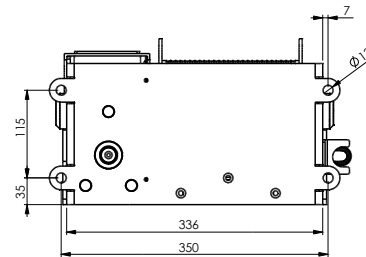
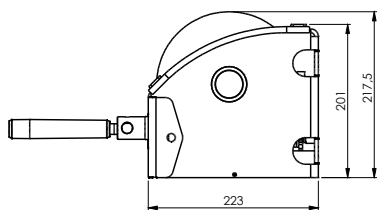
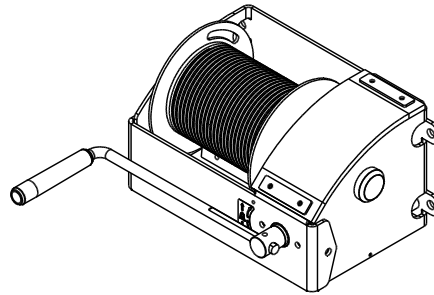
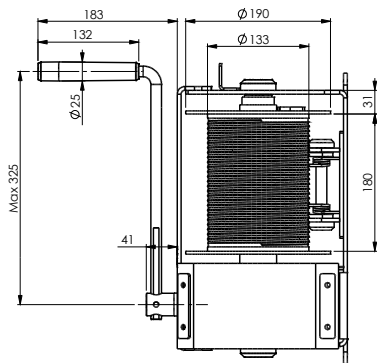
- 2 drum compartment (2D)
- increase of drum to store more rope

Accessories

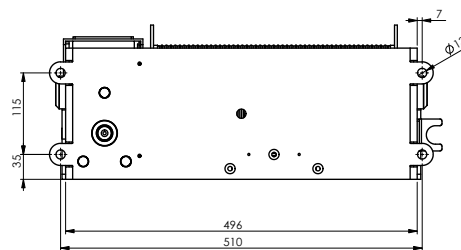
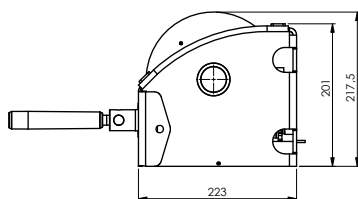
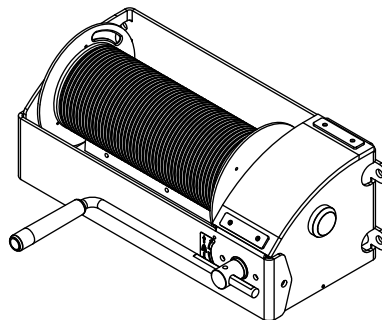
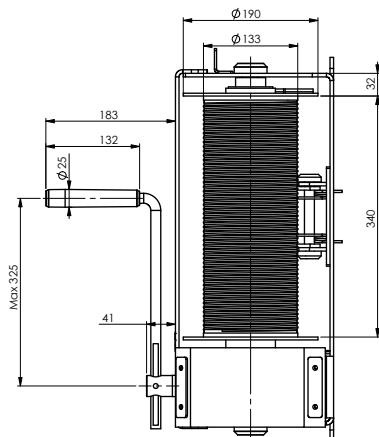
- steel, stainless steel or fiber rope ([p. 57](#))
- pulley block ([p. 59](#))

CE   [Product & instruction video on YouTube](#)

Technical specifications TW300



Technical specifications TW300L



Technical specifications	Unit	TW300	TW300L
Capacity 1st layer	kg	300	300
Rope diameter- \varnothing	mm	6	6
MBL of cable	kN	17	17
Rope storage 1st layer	m	10	20
Lifting speed	m/min	2,3	2,3
Crank effort at full load	kg	15	15
Weight (without rope)	kg	21	25
Article number	no.	77281340	77281341

Spur gear hand winch

150 kg



Description of the winch

This small compact hand-operated winch weighing only 4 kg excels because of its high speed. Its speed and size make it well suited to smaller jobs.

Product specifications

- winch suitable for lifting and pulling in compliance with EN13157
- static safety factor 4
- load pressure brake with double ratchet system for safe stable hold of the load in any position
- cable outlet upwards
- adjustable crank
- suitable for wall mounting
- 1 layer of paint

Options (code)

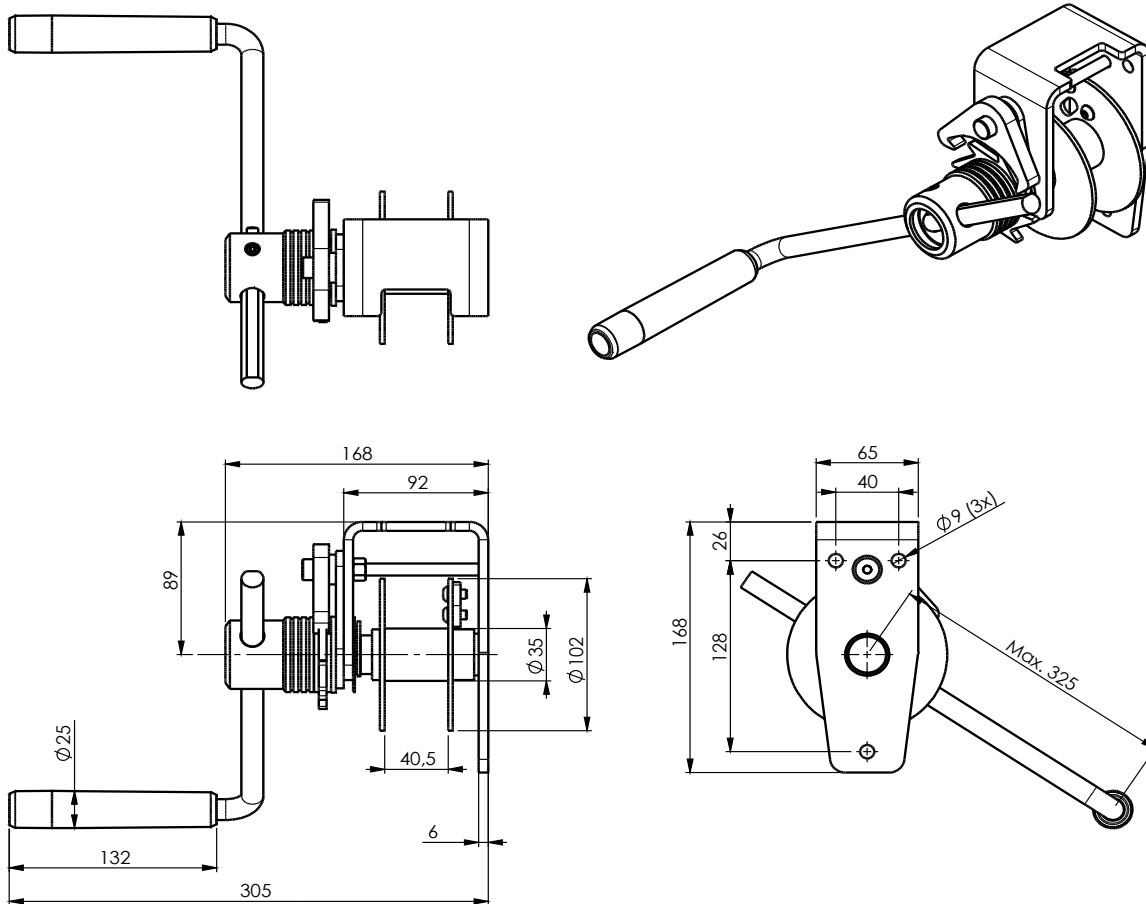
- zinc-plated finish 6 - 8 micron (EV)
- 2 layers of paint (2L)
- ATEX certified zone 2 and 22 (EX)
 - CE II 3G Ex IIC T4 Gc, -20°C<T amb <+70°C
 - CE II 3D Ex IIIC T135°C Dc, -20°C<T amb <+70°C
- custom options possible - [on request](#)

Accessories

- steel or stainless steel rope ([p. 57](#))
- pulley block ([p. 59](#))

CE Ex  [Product & instruction video on YouTube](#)

Technical specifications TL150



Technical specifications	Unit	TL150
Capacity 1st layer	kg	150
Capacity 4th layer	kg	98
Capacity top layer	kg	67
Rope diameter-Ø	mm	4
MBL of cable	kN	9
Rope storage 1st layer	m	0,7
Rope storage 4th layer	m	4,9
Rope storage top layer	m	13,1
Lifting speed	m/min	7,3
Crank effort at full load	kg	10
Weight (without rope)	kg	4
Article number	no.	77111010

Spur gear hand winch

300 – 600 kg

Description of the winch

This convenient spur gear winch excels by its speed. It is equipped with a load-pressure brake with a double ratchet system and a semi-closed housing. In short, a fine, easy winch!

Product specificaties

- winch suitable for lifting and pulling in compliance with EN13157
- static safety factor 4
- load pressure brake with double ratchet system for safe stable hold of the load in any position
- cable outlet upwards
- adjustable crank
- suitable for wall mounting
- 1 layer of paint



Options (code)

- zinc-plated finish 6 - 8 micron (EV)
- 2 layers of paint (2L)
- ATEX certified zone 2 and 22 (EX)
 - CE II 3G Ex IIC T4 Gc, -20°C<T amb <+70°C
 - CE II 3D Ex IIIC T135°C Dc, -20°C<T amb <+70°C
- custom options possible - [on request](#)

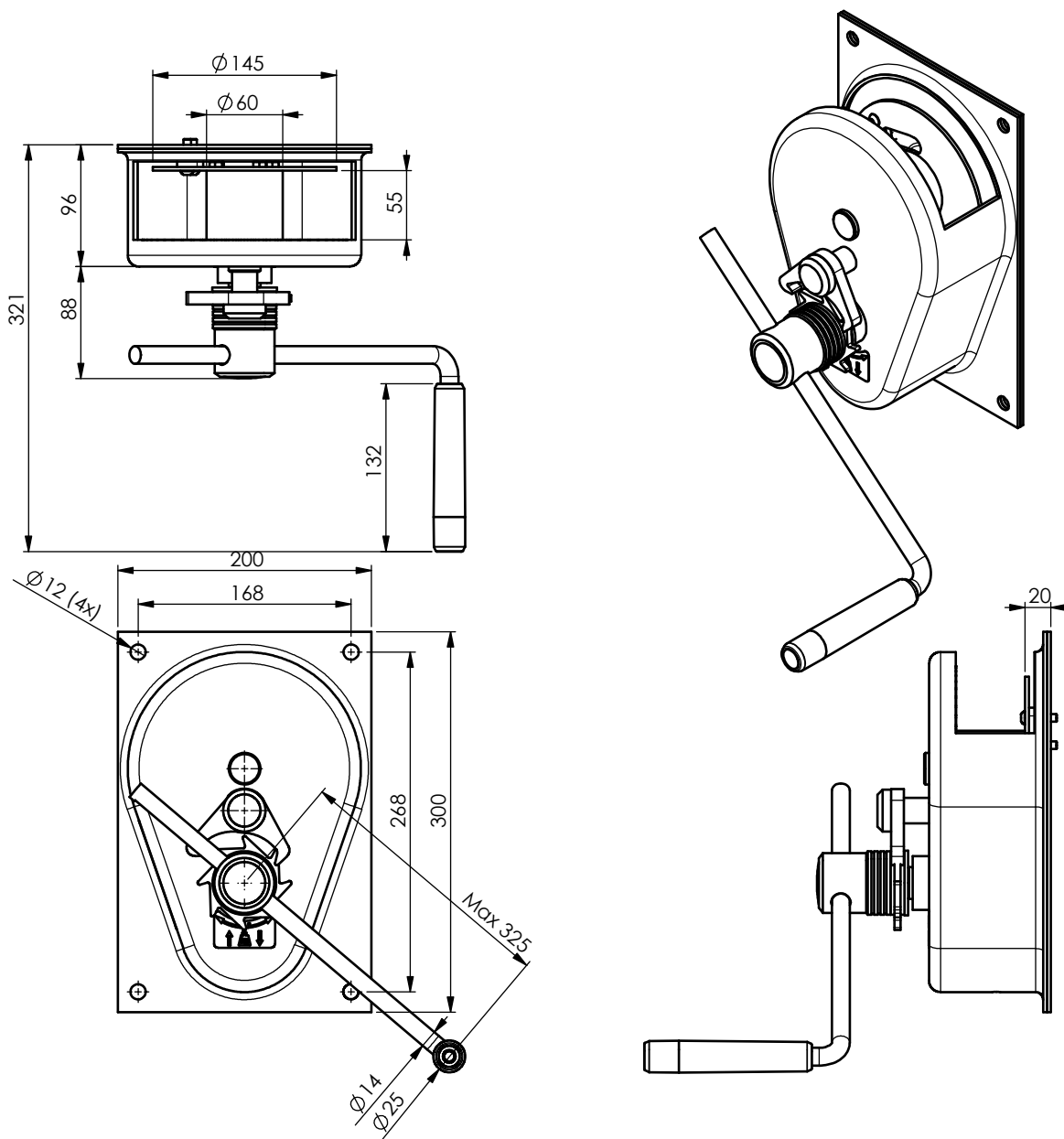
Accessories

- steel or stainless steel rope ([p. 57](#))
- pulley block ([p. 59](#))



[Product & instruction video on YouTube](#)

Technical specifications TL300-600



Technical specifications	Unit	TL300	TL600
Capacity 1st layer	kg	300	600
Capacity 4th layer	kg	234	408
Capacity top layer	kg	172	336
Rope diameter-Ø	mm	4	6
MBL of cable	kN	9	17
Rope storage 1st layer	m	2,3	1
Rope storage 4th layer	m	12,5	7
Rope storage top layer	m	35,4	12,3
Lifting speed	m/min	1,9	1,7
Crank effort at full load	kg	5,5	10
Weight (without rope)	kg	10	11
Article number	no.	77121000	77131000

Spur gear hand winch

1000 – 1500 kg



Description of the winch

This spur gear winch is fast, easy and can be mounted on both walls and floors. The free spool option is therefore also available for this winch. In addition to IP54 water resistance, this winch is also available in stainless steel 304.

Product specifications

- winch suitable for lifting and pulling in compliance with EN13157
- static safety factor 4
- protection classification IP54
- load pressure brake with double ratchet system for safe stable hold of the load in any position
- cable outlet upwards, downwards or at the left
- closed gearbox to protect against environmental influence
- adjustable crank
- suitable for wall and floor mounting
- 1 layer of paint



Options (code)

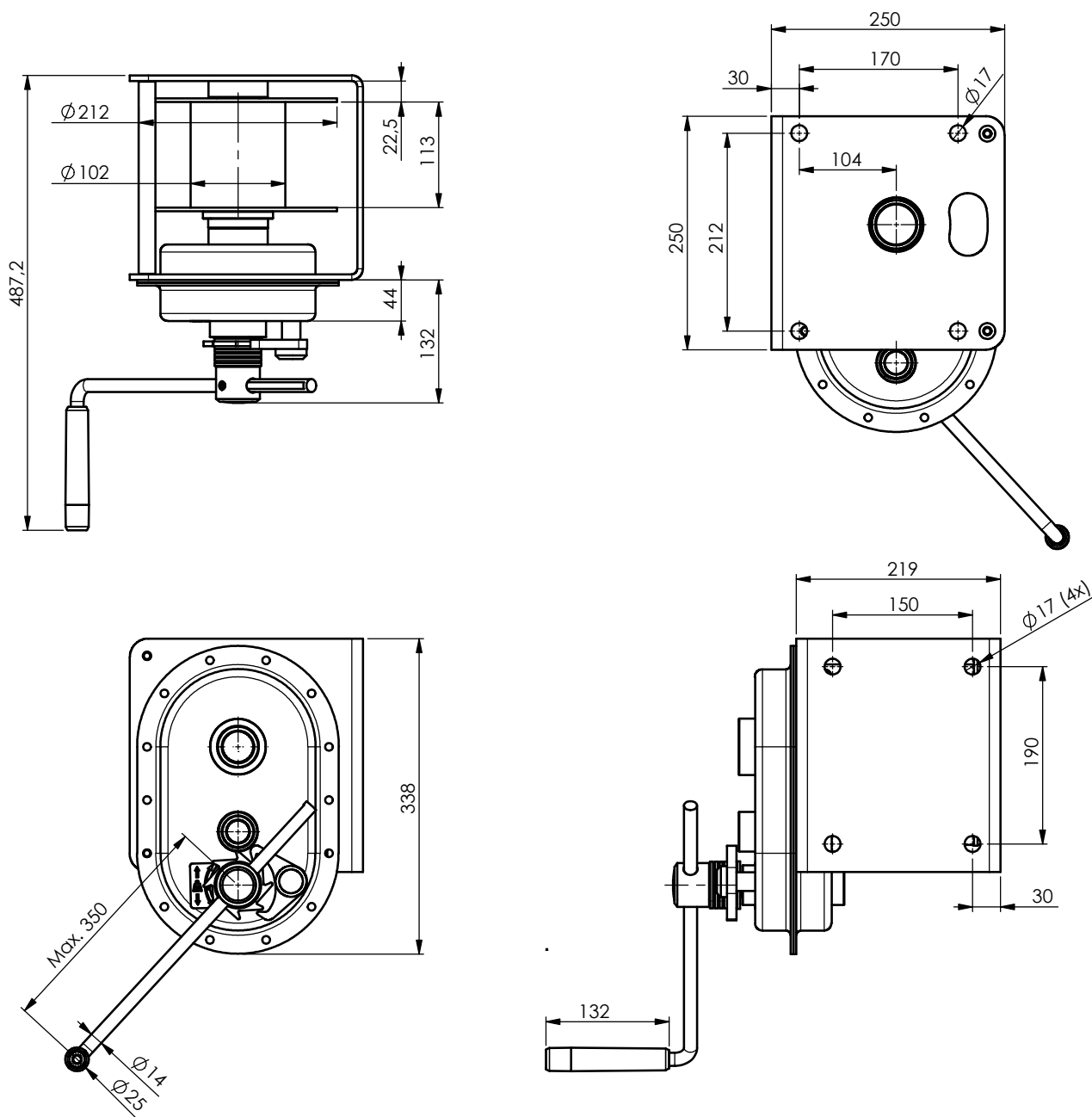
- zinc-plated finish 6 - 8 micron (EV)
- 2 layers of paint (2L)
- stainless steel grade 304 (SST304)
- 2 drum compartment (2D)
- free-spooling device for pulling applications. To disengage the drum (FS)
- ATEX certified zone 2 and 22 (EX)
 - CE II 3G Ex IIC T4 Gc, -20°C<T amb <+70°C
 - CE II 3D Ex IIIC T135°C Dc, -20°C<T amb <+70°C
- custom options possible - [on request](#)

Accessories

- steel or stainless steel rope ([p. 57](#))
- pulley block ([p. 59](#))

CE   [Product & instruction video on YouTube](#)

Technical specifications TL1000-1500



Technical specifications	Unit	TL1000	TL1500
Capacity 1st layer	kg	1000	1500
Capacity 4th layer	kg	726	1025
Capacity top layer	kg	614	927
Rope diameter- \varnothing	mm	8	10
MBL of cable	kN	34	51
Rope storage 1st layer	m	3,5	2,5
Rope storage 4th layer	m	19,5	15,4
Rope storage top layer	m	33	21
Lifting speed	m/min	1,2	0,8
Crank effort at full load	kg	11	12
Weight (without rope)	kg	27	27,5
Article number	no.	77141000	77151100

Console winch CW500

500 kg



Description of the winch

This spur gear winch is fast (2,2 m/min), easy and can be mounted on both walls and floors. The free spool option makes it possible to disengage the drum from the winch to pull out the wire quick. In addition to IP54 water resistance, this winch is also available in stainless steel 316.

These are preliminary images and data. Final ones will follow in January

Product specifications

- winch suitable for lifting and pulling in compliance with EN13157
- static safety factor 4
- protection classification IP54
- load pressure brake with double ratchet system for safe stable hold of the load in any position
- cable outlet upwards, downwards or at the left
- closed gearbox to protect against environmental influence
- free spool - to disengage the drum
- adjustable crank
- suitable for wall and floor mounting
- 1 layer of paint

Options (code)

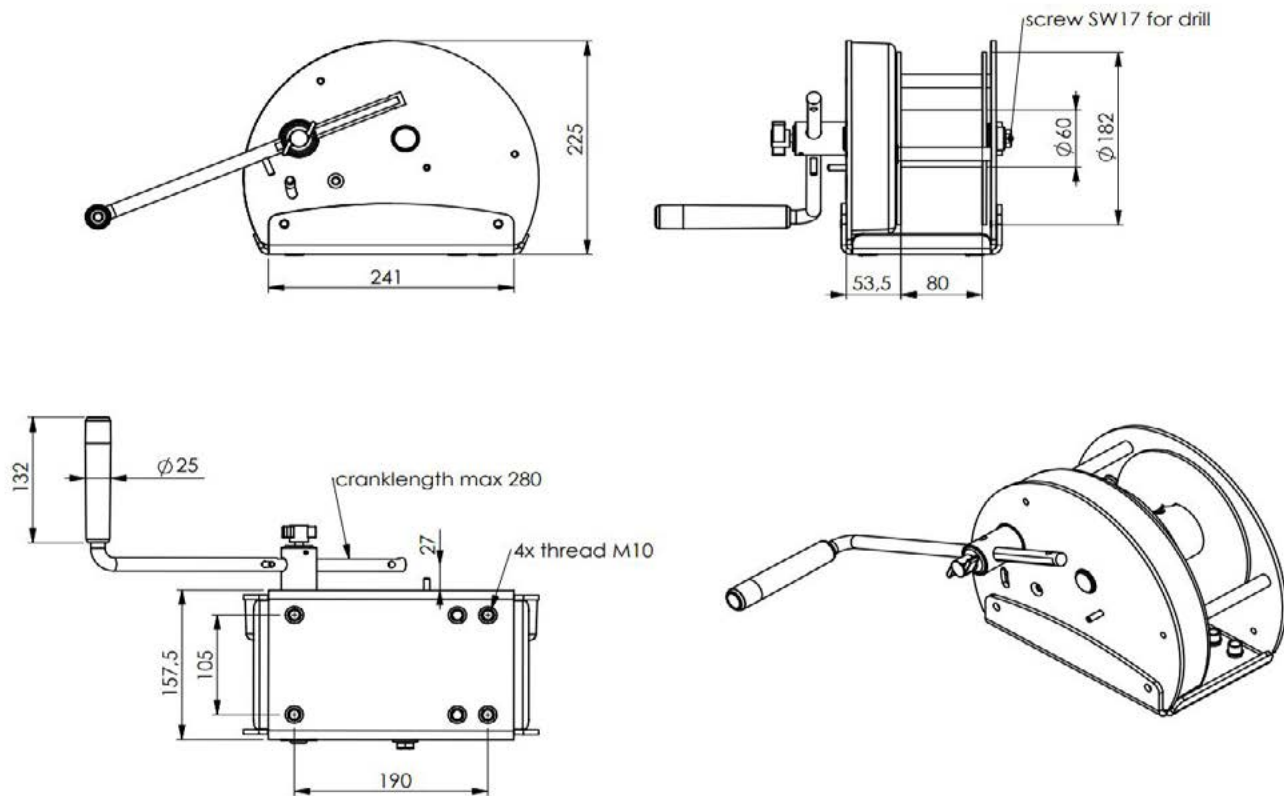
- zinc-plated finish 6 - 8 micron (EV)
- stainless steel grade 316
- ATEX certified zone 2 and 22 (EX)
 - CE II 3G Ex IIC T4 Gc, -20°C<T amb <+70°C
 - CE II 3D Ex IIIC T135°C Dc, -20°C<T amb <+70°C
- custom options possible - [on request](#)

Accessories

- steel or stainless steel rope ([p. 57](#))
- pulley block ([p. 59](#))

CE   [Product & instruction video on YouTube](#)

Technical specifications CW500



Technical specifications	Unit	CW500
Capacity 1st layer	kg	500
Capacity 4th layer	kg	340
Capacity top layer	kg	400
Rope diameter-Ø	mm	6
MBL of cable	kN	17
Rope storage 1st layer	m	2
Rope storage 4th layer	m	11
Rope storage top layer	m	40
Lifting speed	m/min	2,2
Crank effort at full load	kg	11
Weight (without rope)	kg	13,7
Article number	no.	77155130

Console winch CW700

700 kg



Description of the winch

This spur gear winch is fast (2,2 m/min), easy and can be mounted on both walls and floors. The free spool option makes it possible to disengage the drum from the winch to pull out the wire quick. In addition to IP54 water resistance, this winch is also available zinc plated and stainless steel 304 and 316.

Product specifications

- > winch suitable for lifting and pulling in compliance with EN13157
- > static safety factor 4
- > protection classification IP54
- > load pressure brake with double ratchet system for safe stable hold of the load in any position
- > cable outlet upwards, downwards or at the left
- > closed gearbox to protect against environmental influence
- > free spool - to disengage the drum
- > adjustable crank
- > suitable for wall and floor mounting
- > 1 layer of paint



Options (code)

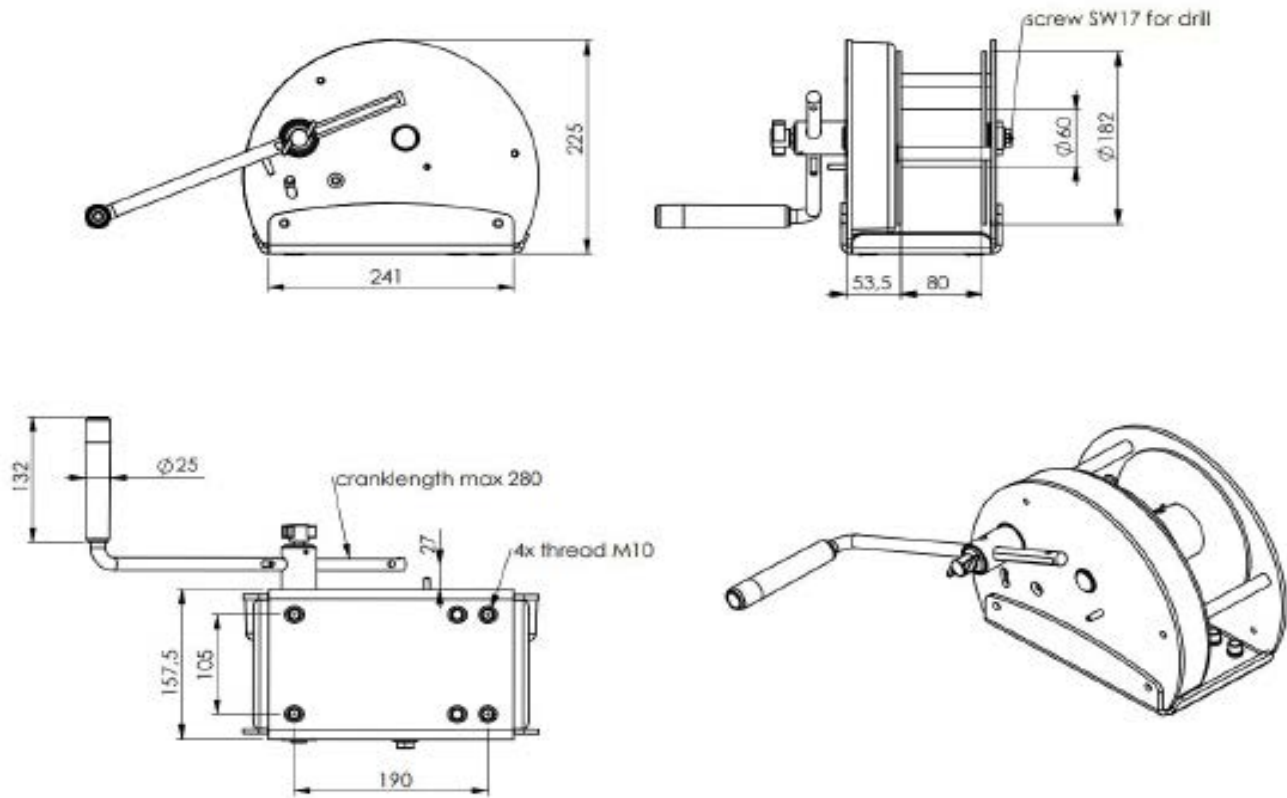
- zinc-plated finish 6 - 8 micron (EV)
- stainless steel grade 304
- stainless steel grade 316
- ATEX certified zone 2 and 22 (EX)
 - CE II 3G Ex IIC T4 Gc, -20°C<T amb <+70°C
 - CE II 3D Ex IIIC T135°C Dc, -20°C<T amb <+70°C
- custom options possible - [on request](#)

Accessories

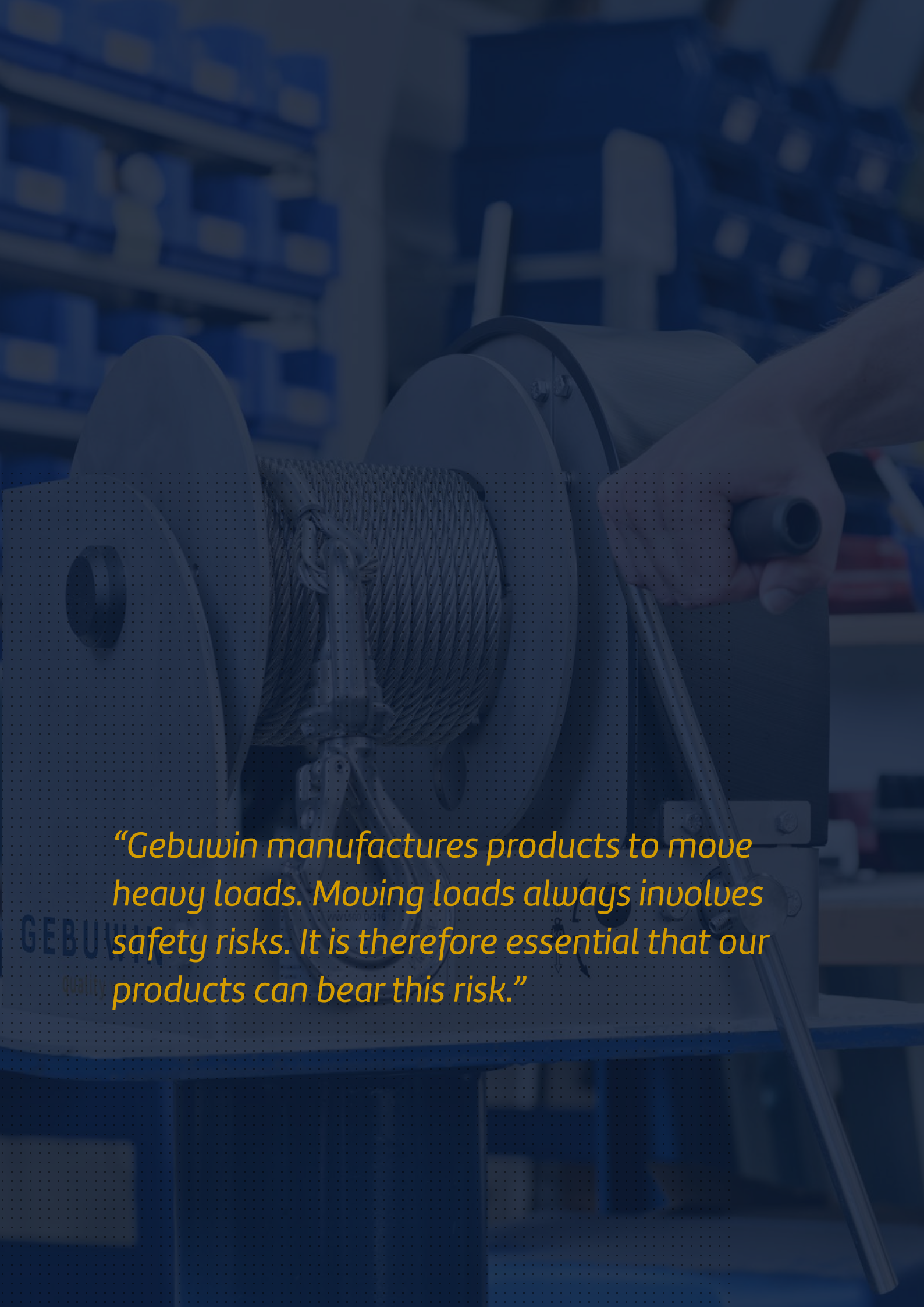
- steel or stainless steel rope ([p. 57](#))
- pulley block ([p. 59](#))

CE   [Product & instruction video on YouTube](#)

Technical specifications CW700



Technical specifications	Unit	CW700
Capacity 1st layer	kg	700
Capacity 4th layer	kg	475
Capacity top layer	kg	290
Rope diameter-Ø	mm	6
MBL of cable	kN	21
Rope storage 1st layer	m	2
Rope storage 4th layer	m	11
Rope storage top layer	m	40
Lifting speed	m/min	2,2
Crank effort at full load	kg	11
Weight (without rope)	kg	13,7
Article number	no.	77155130

A person's hand is shown operating a large industrial machine, likely a wire rope processing machine. The machine has a large spool of wire rope in the center. The background is a blurred industrial setting with shelves and equipment. The entire image has a dark blue overlay with a fine white dot pattern.

“Gebuwin manufactures products to move heavy loads. Moving loads always involves safety risks. It is therefore essential that our products can bear this risk.”

GEBUWIN
Quality