

INKO21

+34 972 66 48 36

info@inko21.com

inko21.com

Electric winches

Our electric winches are designed for both light and very heavy loads. Gebuwin produces two types of electric winches. Our product range includes electric worm-gear winches and electric planetary winches. Both winches are compact and have a robust construction. The electric worm-gear winches have a capacity of up to 3200 kg and the planetary winches can handle up to 30 tonnes.



Index

- Electric e-Winch p. 31
- Electric worm gear winch p. 33
- Low speed electric winch p. 35

Electric e-Winch

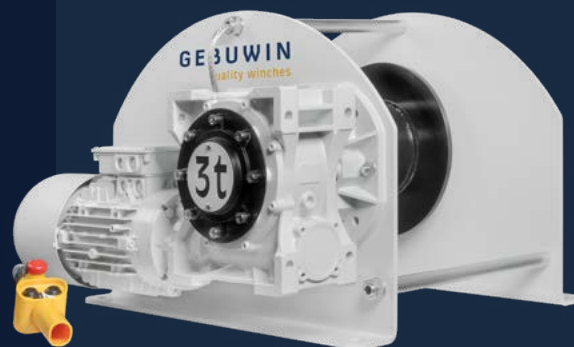
250 – 3000 kg

Description of the winch

Newly developed electric pulling and lifting electric winch with a powerful three-phase motor, budget-friendly and strong in its work.

Product specifications

- winch suitable for lifting and pulling
- maintenance free bearings
- protection classification IP54, insulation class F
- standard overload protection as from 1000 kg
- powerful three-phase motor for multirange voltage:
 - 230 – 400V / 50 Hz - three phase
 - 480V / 60 Hz (torque -20%, speed +20%)
- 1 speed pendant control with 1m cable
- standard 2 meter power cable including 16A CEEplug
- 1 layer of paint



Options (code)

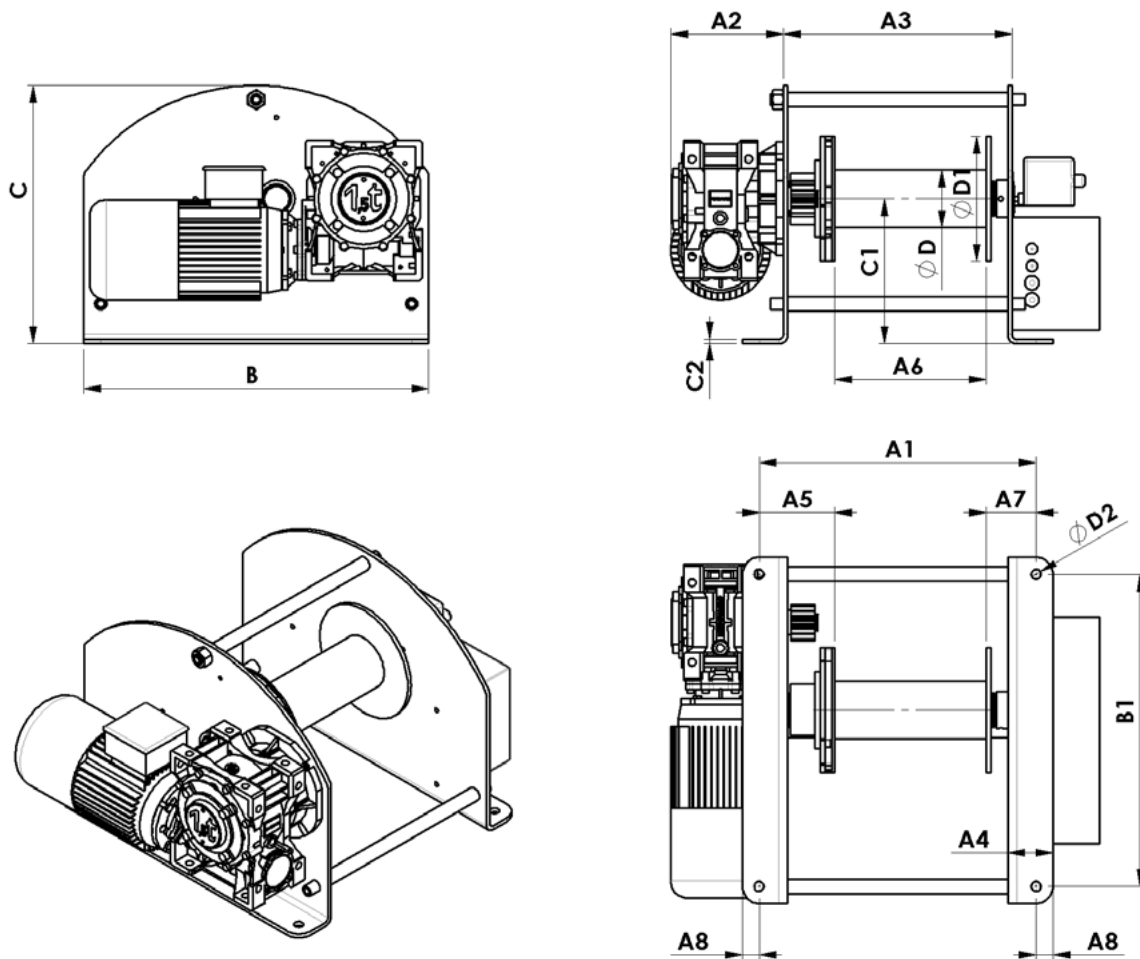
- limit switch - required for lifting applications (LS)
- pressure roller (PR)
- grooved drum (GD)
- 2 drum compartment (2D) or multiple up to 8 (XD)
- external limit switch (EL)
- protection classification IP55 (IP55)
- increase of cable storage - [on request](#)
- custom options possible - [on request](#)

Accessories

- steel, stainless steel or fiber rope ([p. 57](#))
- pulley block ([p. 59](#))

CE Ex  [Product & instruction video on YouTube](#)

Technical specifications e-W250-3000



Dimensions (mm)	A1	A2	A3	A4	A5	A6	A7	A8	B	B1	C	C1	C2	D	D1
<u>e-W250</u>	269	151	222	47	59	146	64	17	550	440	355	190	6	55	150
<u>e-W500</u>	269	189	222	47	59	146	64	17	550	440	355	190	6	55	150
<u>e-W1000</u>	475	172	405	70	130	265	80	27	610	500	455	255	8	102	220
<u>e-W1500</u>	475	211	405	70	130	265	80	27	610	500	455	255	8	102	220
<u>e-W2000</u>	475	220	405	70	149	238	85	27	700	570	515	260	8	133	325
<u>e-W3000</u>	475	240	405	70	149	241	85	27	700	570	515	260	8	168	325

Technical specifications	Unit	e-W250	e-W500	e-W1000	e-W1500	e-W2000	e-W3000
Capacity 1st layer	kg	250	500	1000	1500	2000	3000
Capacity top layer (layers)	kg	109 (12)	247 (7)	570 (7)	927 (5)	998 (8)	1957 (5)
Lifting speed	m/min	5,2	5,4	3,5	4,4	4,7	3,6
Rope diameter-Ø	mm	4	6	8	10	12	14
MBL of cable	kN	9	18	36	36	70	114
Rope storage 1st layer	m	5,7	3,8	9,7	7,7	6,8	7,4
Rope storage top layer	m	122	45	100	55	94	54
Motor output (400V)	kW	0,37	0,75	1,1	1,8	2	3
Current (400V)	A	1	2	2,5	4,6	6,4	6,4
FEM 9.511 classification	FEM	1Bm	1Bm	1Cm	1Cm	1Cm	1Cm
Weight (without rope)	kg	52	60	107	122	180	192
*limit switch required for lifting							

Electric worm gear winches

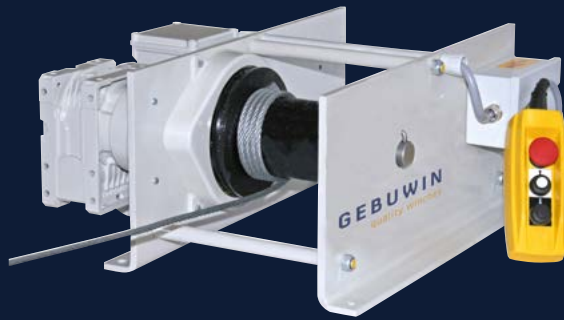
125 – 3200 kg

Description of the winch

This electric winch is part of Gebuwin's well-known product range. A very robust and safe winch. This winch is suitable for both lifting and pulling and has an IP55 rating. It is a real industrial winch with its high FEM values of at least 1CM or higher. Strong workmanship, robust efficient winch that is very friendly in use.

Product specifications

- winch suitable for lifting and pulling
- maintenance free ball bearings
- protection classification IP55, insulation class B
- standard overload protection starting from 1000 kg
- standard 1 meter pendant control switch
- operation mode S3-40% - 120 c/h
- 1 layer of paint



Options (code)

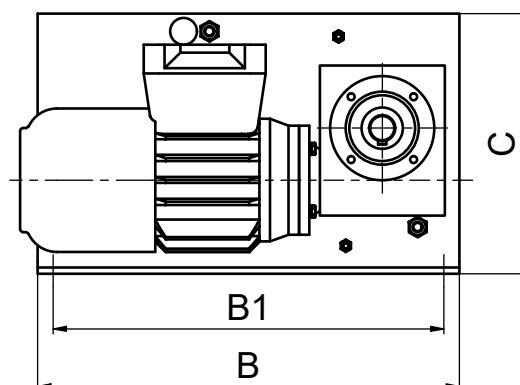
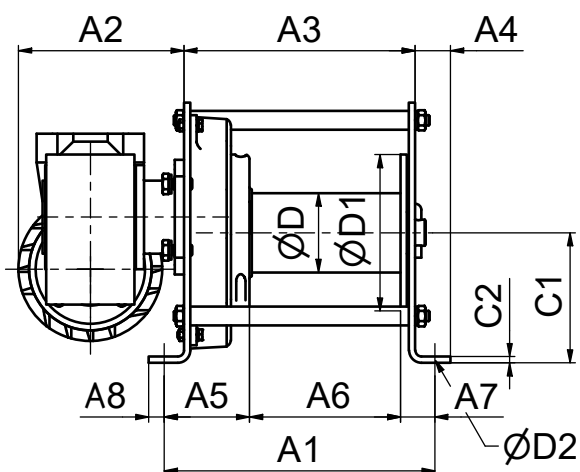
- available in 230/400V three phase and 230V single phase
- available as electric lifting winch (limitswitch and low voltage control are required)
- increase of cable storage per 10 m up to 90m
- grooved drum (GD)
- multiple cable drum compartments (XD)
- disengaging clutch (except for 125 kg model)
- wall mounted control switch
- low voltage control 42 V control
- double speed
- radio control (RC)
- frequency control
- protection classification up to IP66
- ATEX certified (EX)

Accessories

- steel or stainless steel rope ([p. 57](#))
- pulley block ([p. 59](#))

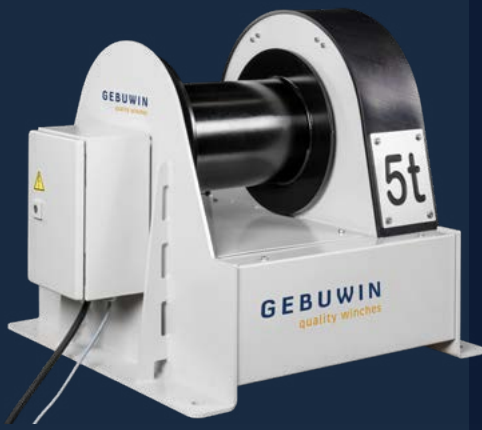
CE Ex  [Product & instruction video on YouTube](#)

Technical specifications EW125-3200



Dimensions (mm)	A1	A2	A3	A4	A5	A6	A7	A8	B	B1	C	C1	C2	D	D1	D2
EW125	205	195/165	171	30	4	135	27	13	405	375	215	140	4	60	130	9
EW250	260	195/165	222	34	78	150	32	15	405	375	250	125	6	60	150	11
EW500	260	195/165	222	34	82	145	33	15	405	375	250	125	6	76	150	11
EW1000	345	240/216	289	45	99	198	48	17	575	535	270	155	10	108	180	13
EW2000	440	240/216	358	61	173	200	67	20	600	550	385	171	15	146	245	17
EW3200	525	198	443	61	193	257	75	20	600	550	405	191	15	216	370	17

Technical specifications	Unit	EW125	EW250	EW500	EW1000	EW2000	EW3200
Capacity 1st layer	kg	125	250	500	1000	2000	3200
Capacity top layer	kg	90	180	340	780	1560	2500
Lifting speed	m/min	7,8	5	2,5	4,5	4,5	4,5
Rope diameter-Ø	mm	4	4	6	8	11	16
MBL of cable	kN	5	9	18	36	70	114
Rope storage 1st layer	m	6,4	7,1	5,7	8,4	8	9
Rope storage top layer	m	32	35	30	30	30	37
Motor output (230 V)	kW	0,37	0,37	0,37	1,3	2,6	-
Motor output (400 V)	kW	0,37	0,37	0,37	1,3	2,6	3
Current (230 V)	A	4	4	4	9,1	9,1	-
Current (400 V)	A	1,1	1,1	1,1	3,2	6	7
Weight (without rope)	kg	27	37	40	88	160	210



Low speed electric winch LS5000

5000 kg

Description of the winch

Low-speed electric winch, made to move fragile loads from 0,3 metres per minute, powerful with its 5 ton lifting capacity in combination with a 230V connection.

Product specifications

- robust and safe electric pulling and lifting winch 400 V / 230 V
- in compliance with EN 14492
- protection classification electric IP55 / mechanical IP54
- mechanical overload protection
- thermal protection electric motor
- low voltage (24 V) pendant switch with 2 m cable
- including 2 m power cable with 16A CEE plug
- automatic grease system for the worm gearing
- 1 layer of paint



Options (code)

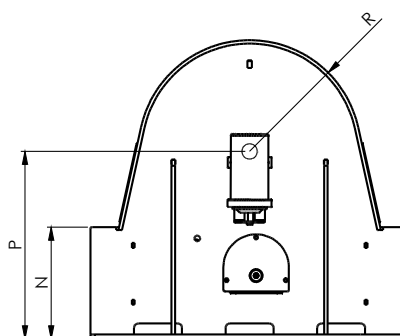
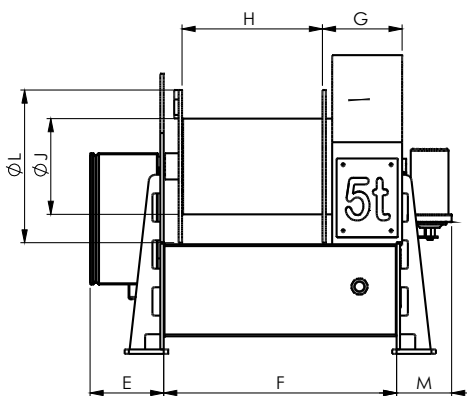
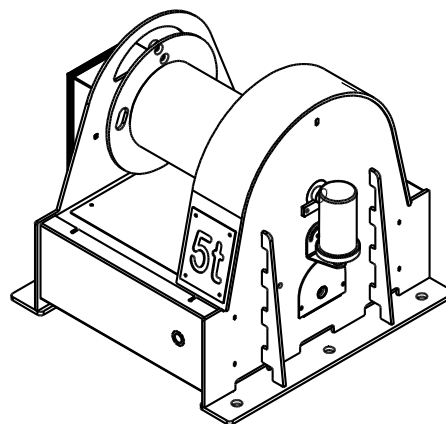
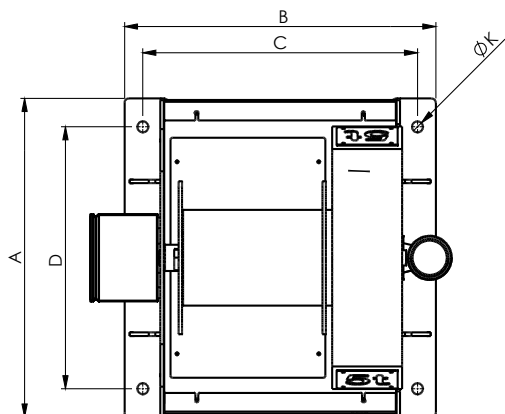
- limit switch - required for lifting applications (LS)
- grooved drum (GD)
- 230V - 50Hz

Accessories

- steel, stainless steel or fiber rope ([p. 57](#))
- pulley block ([p. 59](#))

CE   [Product & instruction video on YouTube](#)

Technical specifications LS5000



Dimensions (mm)	A	B	C	D	E	F	G	H	J	K	L	M	N	P	R
LS5000	730	704	630	600	169	534	183	322	219	25	351	126	254	427	255

Technical specifications	Unit	LS5000
Capacity 1st layer	kg	5000
Capacity top layer	kg	3959
Lifting speed	m/min	0,4
Rope diameter- \varnothing	mm	18
MBL van kabel	kN	150
Rope storage top layer (pulling)	m	39
Rope storage top layer (lifting)	m	10
Motor output	kW	0,75
Current	A	2
Weight (without rope)	kg	216



GEBUWIN
quality winches

“The e-Winch is truly one of Gebuwin’s eye catchers. A truly robust winch that has been re-released this year by Gebuwin and in which the team of engineers have applied all of today’s innovations.”

Battery drill winches

In the situations where a load needs to be moved and no electricity is available one can use a manual winch. But moving a load manually is not always desirable. That is why Gebuwin has developed winches that can be operated with a 'normal' cordless drill machine. These drill winches can lift up to 1000 kg of load.



Index

- Drill winch DW1000 p. 41
- Battery Drill winch WA200 p. 43
- Pulley Man PM300-600 p. 45

Battery drill winch DW1000

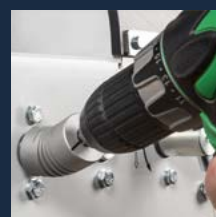
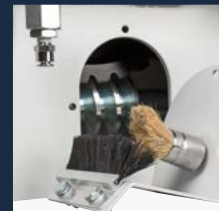
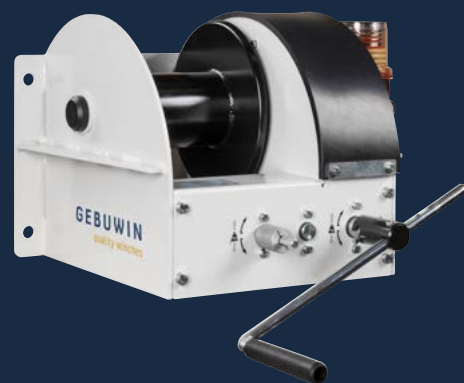
1000 kg

Description of the winch

The worm gear winch can be operated both manually and with a cordless drill. A user-friendly winch and often used as a back-up system. If there is a power failure and you want to move a heavy load quickly and effectively, the use of a battery-powered drill offers a solution. The winch is equipped with automatic grease lubrication and a special flexible adaptor to absorb the vibrations of the drilling machine and keep the winch in good condition.

Product specificaties

- winch suitable for lifting and pulling in compliance with EN13157
- static safety factor 4
- load pressure brake with double ratchet system for safe stable hold of the load in any position
- cable outlet upwards, downwards or at rear
- protection classification IP54
- automatic grease system for the worm gearing
- adjustable crank
- drill and hand operated
- suitable for wall and (optional) floor mounting
- 1 layer of paint



Options (code)

- zinc-plated finish 6 - 8 micron (EV)
- 2 layers of paint (2L)
- grooved drum (GD)
- 2 drum compartment (2D) or multiple up to 8 (XD)
- suitable for floor mounting (FM)
- custom options possible - [on request](#)

Accessories

- steel, stainless steel or fiber rope ([p. 57](#))
- pulley block ([p. 59](#))



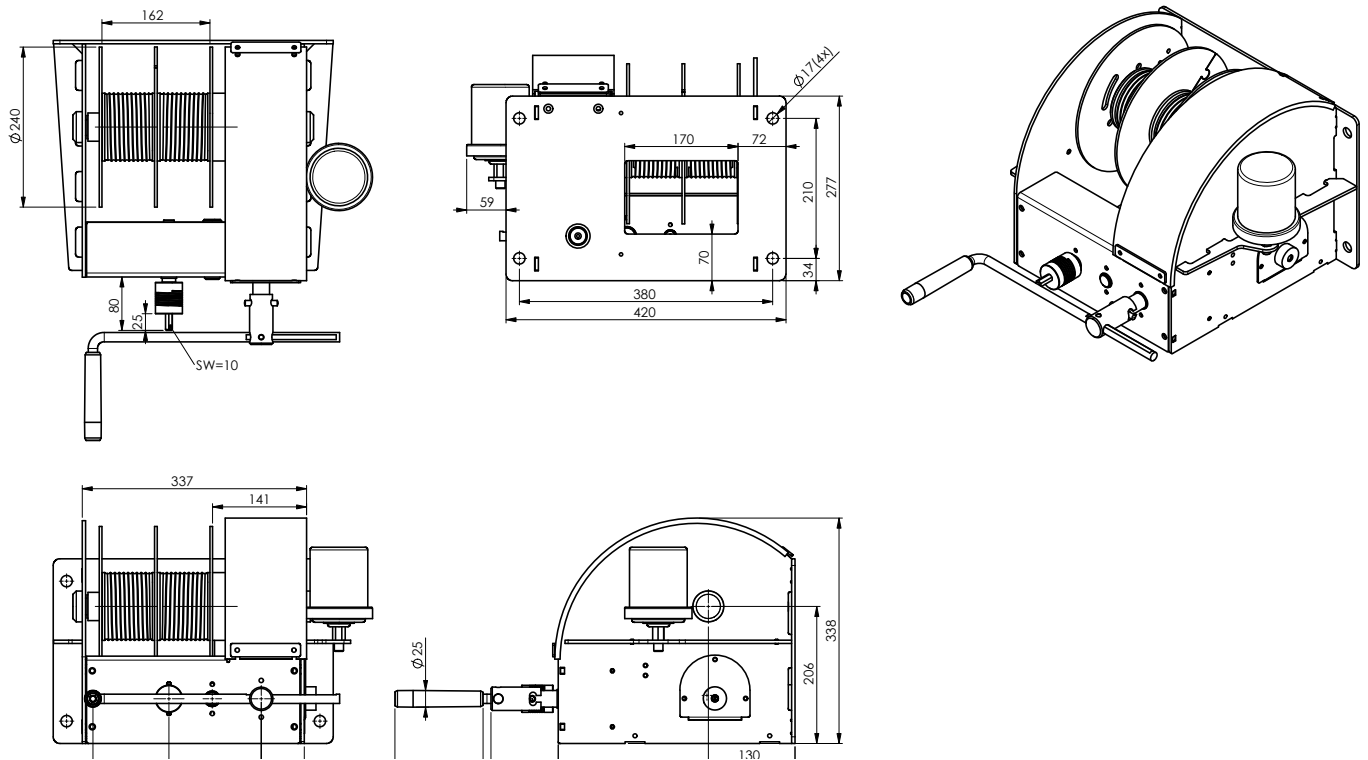
[Product & instruction video on YouTube](#)

GEBUWIN
quality winches

Industrieweg 6, 7102 DZ Winterswijk, The Netherlands
Telephone: +31(0)543 532600 Email: info@gebuwin.com

For more information, visit: www.gebuwin.com

Technical specifications DW1000



Technical specifications	Unit	DW1000
Capacity 1st layer	kg	1000
Capacity 4th layer	kg	725
Capacity top layer	kg	527
Rope diameter- \varnothing	mm	8
MBL of cable	kN	30
Rope storage 1st layer	m	5,5
Rope storage 4th layer	m	29,2
Rope storage top layer	m	73
Lifting speed	m/min	0,5
Crank effort at full load	kg	11
Torque ingoing shaft	Nm	6
Max. input rotation speed drill	rpm	650
Weight (without rope)	kg	39
Article number	no.	77290005

Battery drill winch

200 kg



Description of the winch

This battery drilling machine winch is a user-friendly winch and is often used as a back-up system. If the power fails and you want to move a heavier load quickly and effectively, the use of a battery powered drill offers a solution. The winch is very compact and can be mounted both against the wall and on the floor. Ideal for smaller work.

Product specifications

- robust and safe lifting and pulling winch operated with battery drill
- static safety factor 4
- flexible coupling attachment for battery drill
- self braking worm gear system
- suitable for wall or floor (console) mounting
- suitable for short lifting lengths
- maintenance free aluminum closed gear box
- in compliance with EN13157 and DIN 15020
- 1 layer of paint

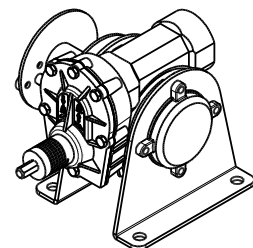
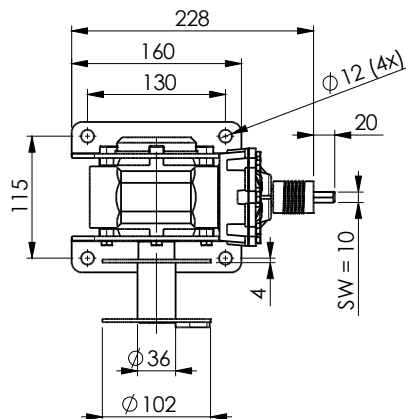
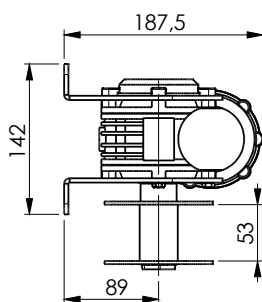
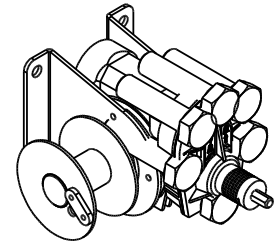
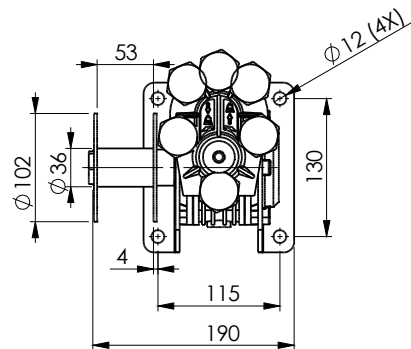
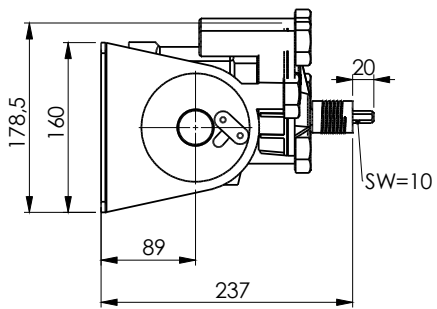
Accessories

- steel, stainless steel or fiber rope ([p. 57](#))
- pulley block ([p. 59](#))



[Product & instruction video on YouTube](#)

Technical specifications WA200



Technical specifications	Unit	WA200
Capacity 1st layer	kg	200
Capacity top (7) layer	kg	90
Rope diameter-Ø	mm	4
MBL of cable	kN	9
Rope storage 1st layer	m	1
Rope storage top layer	m	18
Max. input rotation speed drill	rpm	1400
Lifting speed	m/min	0,8
Weight (without rope)	kg	6

Pulley Man

300 – 600 kg

Description of the winch

The Pulley Man, with its 4 kg, is easy to carry. This winch can be installed in three ways, rotates 360 degrees and has an infinite cable. In short, this Pulley Man may not be missing in your workshop.

Product specifications

- Light weight and portable
- Suitable to lift loads up to 600 kg (PM600)
- Suitable to pull loads up to 3000 kg
- Can be used with a cordless drill and power drill
- Possible to rotate the load 360°
- Standard rope length 12 meters (possible up to 100 meters)
- Patented self-braking reduction brake
- 1 layer of paint



Options (code)

- Available in complete kit including:
 - Robust case with foam
 - L: 457 W: 367 H: 183 - Brand: Explorercase
 - Cordless drill 18V - 50 Nm - Brand: Hikoki
 - 2 Li-ion batteries 18V - 2,5 Ah - Brand: Hikoki
 - 1 charger - Brand: Hikoki
 - 2 shackles type G-210 - Brand: Crosby
 - 1 sling, length 1 m



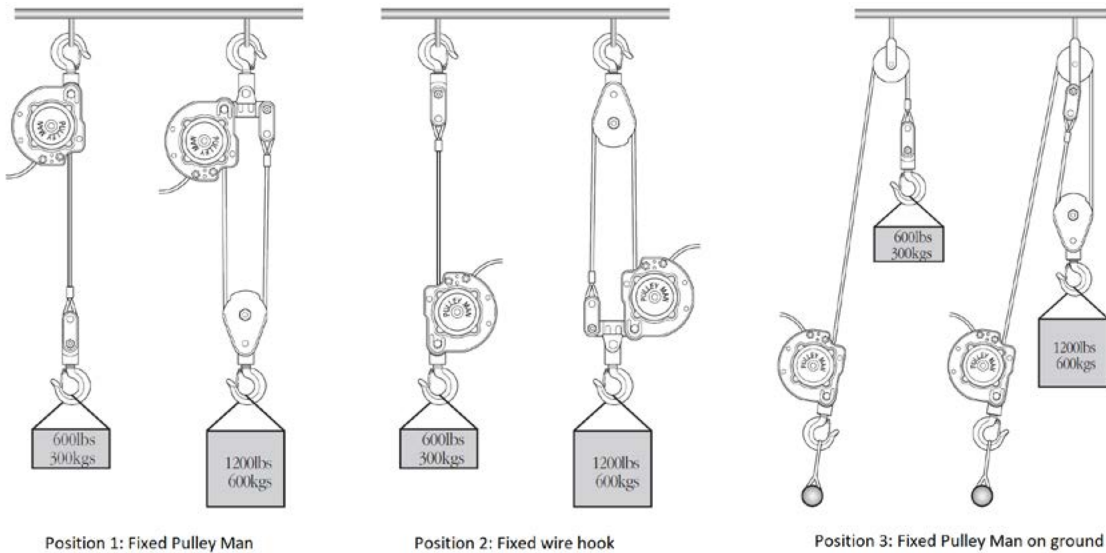
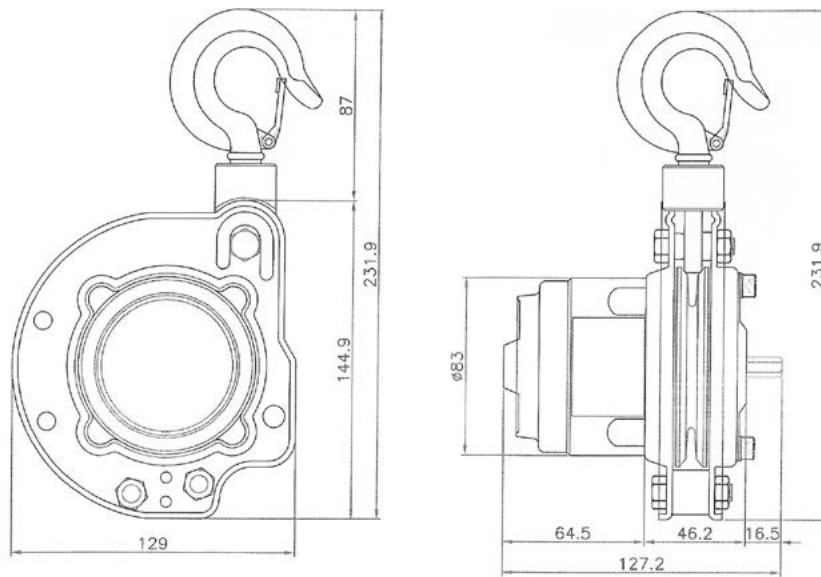
CE Ex  [Product & instruction video on YouTube](#)

GEBUWIN
quality winches

Industrieweg 6, 7102 DZ Winterswijk, The Netherlands
Telephone: +31(0)543 532600 Email: info@gebuwin.com

For more information, visit: www.gebuwin.com

Technical specifications PM300-600



Technical specifications	Unit	PM300	PM600
Lifting capacity	kg	300	600
Pulling capacity (load on wheels, 6° sope)	kg	1500	3000
Pulling capacity (load on wheels, 35° sope)	kg	450	900
Number of falls	nr	1	2
Line speed (no load)	m/min	8	3,75
Line speed (full load)	m/min	6	3
Wire rope diameter	mm	4,76	4,76
Standard rope length with hook	m	12	12
Weight (without rope)	kg	3,8	4,1
Weight incl. rope	kg	5	6
Weight complete kit	kg	9,5	10
Article number	no.	77410001	77410002



GEBUWIN
quality winches

“The DW1000 can be operated both manually and with a cordless drill. A userfriendly winch and often used as a back-up system. If there is a power failure and you want to move a heavy load quickly and effectively, the use of a battery drill offers a solution.”